

Visit ProMariner online at www.promariner.com, for a complete selection of quality marine products...

Here are just a few:

- ProMar1 DS Series - Recreational Grade Waterproof Marine Battery Chargers
- ProSportHD Series - Heavy Duty Recreational Grade Marine Battery Chargers
- ProTournament*lite* Series - Professional Grade Tournament Grade Marine Battery Chargers
- ProNauticP Series - Sailing and Cruising Marine Battery Chargers
- ProIsoCharge Series - Digitally Controlled Zero Loss Charging Isolators
- Digital Mobile Charge In-Transit Chargers
- ProSport 1.5 Amp Multi-Use Maintainer
- Universal AC Plug Holders
- Battery Isolators
- Galvanic Isolators
- Online Technical Support and Service Support

Visit frequently, we are always adding new products for your boating enjoyment!

ProMariner™

15 Dartmouth Drive, STE 101
Auburn, New Hampshire 03032
603-433-4440
1-800-824-0524
www.promariner.com

Made in China

Specifications subject to change without notice

Conforms to UL STD. 1236
Certified to CSA STD. C22.2 No. 107.2
FCC Class B, CEC and DOE listed

Designed and Constructed to ABYC A-31



08/19 A

ProSportHD

On-Board Marine Battery Charger



IP67 Waterproof

For Flooded (Lead Acid) AGM & Gel Batteries

3 Year Warranty

Energy Saving

Owner's Manual and Installation Guide

Part No.	Model	Volts	Total Amps	No. Bat	Cable Length	Size (H x W x D)	Weight	AC In
44006	ProSportHD6	12	6	1	6'	7.9" x 7.7" x 2.9"	3.8 lbs	110-120VAC 60 Hz
44008	ProSportHD8	12/24	8	2	6'	7.9" x 8.9" x 2.9"	5.2 lbs	110-120VAC 60 Hz
44010	ProSportHD10 OE	12/24	10	2	6'	7.9" x 10.5" x 2.9"	6.0 lbs	110-120VAC 60 Hz
44012	ProSportHD12	12/24	12	2	6'	7.9" x 10.5" x 2.9"	6.0 lbs	110-120VAC 60 Hz
44015	ProSportHD15 OE	12/24/36	15	3	6'	7.9" x 12.8" x 2.9"	7.8 lbs	110-120VAC 60 Hz
44020	ProSportHD20	12/24	20	2	6'	7.9" x 12.8" x 2.9"	7.2 lbs	110-120VAC 60 Hz
44021	ProSportHD20Plus	12/24/36	20	3	6'	7.9" x 12.8" x 2.9"	7.8 lbs	110-120VAC 60 Hz
44023	ProSportHD6 Global	12	6	1	6'	7.9" x 7.7" x 2.9"	3.8 lbs	100-240VAC 50/60 Hz
44026	ProSportHD12 Global	12/24	12	2	6'	7.9" x 11.3" x 2.9"	6.4 lbs	100-240VAC 50/60 Hz
44028	ProSportHD20 Global	12/24	20	2	6'	7.9" x 13.6" x 2.9"	8.2 lbs	100-240VAC 50/60 Hz
44029	ProSportHD20Plus Global	12/24/36	20	3	6'	7.9" x 13.6" x 2.9"	8.8 lbs	100-240VAC 50/60 Hz

IMPORTANT NOTICE

Please save and read all safety, operating and installation instructions before installing or applying AC power to your ProMariner ProSportHD On-Board Marine Battery Charger.

Your Satisfaction is Important to Us!

Do not return this product to retailer or dealer for any service or warranty requirements. Please call our Customer Care Department at 800-824-0524 from 8:30 am to 5 pm Eastern Time for any warranty, service or installation assistance. Thank you - ProMariner Customer Care

For use with 12 Volt Flooded (Lead Acid), AGM and Gel batteries. Not for 4D and 8D large capacity batteries, refer to ProMariner's ProNautic P series for these applications at www.promariner.com.

Model Number: _____ Serial Number: _____ Date of Purchase: _____

Table of Contents

Introduction...	1
Important Safety Instructions...	2-7
General Overview...	8
General Operation...	9-14
Installation...	15-17
Typical Wiring...	18-24
Charging your Batteries...	25
Maintenance...	26
Troubleshooting...	27
Warranty Information...	28

Important Charger Operation Note:

Once your new ProSportHD is installed and properly connected to batteries you will be ready to plug it in.

Please note the ProSportHD has a built-in feature that will analyze all battery connections and batteries to determine that your boat's batteries are capable of being charged correctly. The analyze mode is automatic and will take place every time the unit is plugged into a GFCI protected outlet. The self test takes approximately 1 minute to complete.

During the analyze process, the Mode LED will pulse blue. When completed, if everything is connected properly, the batteries are OK and above 2.5 VDC then the charger will register and illuminate the green System Check OK indicator followed by a solid red or green Mode LED indicating all batteries are being charged or maintained.

If the System Check OK indicator does not illuminate solid green after 1 minute, check the following:

- poor connection
- blown DC cable fuse
- reverse polarity
- wired across 2 batteries
- battery is below 2.5V

In any of the above cases, refer to the troubleshooting section on page 27 of this manual.

Introduction

Thank you from all of us at ProMariner for your recent purchase of the all new ProSportHD Generation 4 boasting a new aggressive heavy duty tri-surface heatsink design. This new lightweight design delivers significantly faster charging through optimal cooling, while delivering true rated constant current charging amps during charge mode.

Technology and Feature Highlights include:

ProMariner Digital Technology

Microprocessor and software controlled charging technology for precise charge modes and faster charging.

Distributed-On-Demand™ Technology

100% of all available charging amps are utilized by distributing unused charging amps to any one or combination of all batteries as needed.

Heavy Duty Tri-Surface Extruded Heat Sink Design

Upper, lower and rear facing heat sink design for optimal cooling while delivering true rated constant current charging amps during charge mode.

Expanded LED Display with Completion Status Gauge

LED fuel gauge style completion status. Four color multi-stage mode LED status bar. Multi-stage Charge Mode, System Check OK, individual Battery Status and Battery Type indication.

Lightweight Design

Up to 40% lighter when compared to an epoxy filled charger.

Auto Maintain/Energy Saver Mode

Automatically monitor and maintain batteries only when needed to maintain full state of charge. This significantly reduces AC power consumption.

Fully Automatic 5-Stage Digital Performance Charging

5 Stages: Analyzes, charges, conditions, auto maintains and reconditions batteries once a month during storage periods. Fully charges and extends battery life.

Built-in Quality and Safety

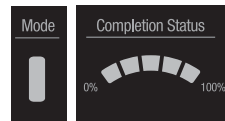
Dual inline waterproof fuses, reverse polarity, over-temperature, over-current, over-voltage and ignition protection. Certified to Marine UL 1236. CEC and DOE listed. FCC Class B.

Easy Installation and Operation

Pre-wired 6' AC and DC cables.

Flooded (Lead Acid), AGM & Gel Batteries

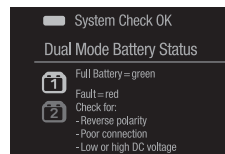
3 Year Warranty



Four Color Multi-Stage Mode LED Status Bar

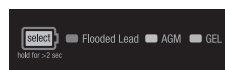
LED Fuel Gauge Completion Status

Red indicator for low battery and transitions to green during charging process.



System Check OK and Dual Mode Battery Status

Red Fault indication during Analyze mode for user wiring or battery attention. Green indication as each battery becomes fully charged and is monitored off line.



3 Selectable Charge Profiles

Performance charge profiles for Flooded (lead acid), AGM and GEL batteries. HP AGM profile on ProSportHD 20 Dual only.

Important Safety Instructions

SAVE THESE INSTRUCTIONS

This manual contains important safety and operating instructions for the ProSportHD On-Board Marine Battery Charger.

CAUTION - To reduce the risk of injury, charge only 12 Volt Flooded (Lead-Acid), AGM and Gel batteries. Other types of batteries may burst, causing personal injury.

EXTERNAL CONNECTIONS TO CHARGER SHALL COMPLY WITH THE UNITED STATES COAST GUARD ELECTRICAL REGULATIONS (33CFR183, SUB PART 1).

Before connecting your batteries or applying AC power, read all instructions and cautionary markings on the battery charger, cables, and batteries.

WARNING

To reduce the risk of injury to user or property; the user must read and understand the instruction manual and all warnings on the charger and batteries before use.

WARNING

1. WARNING - RISK OF EXPLOSIVE GASES.
 - a. WORKING IN THE VICINITY OF A LEAD-ACID BATTERY IS DANGEROUS. BATTERIES GENERATE EXPLOSIVE GASES DURING NORMAL BATTERY OPERATION. FOR THIS REASON, IT IS OF UTMOST IMPORTANCE THAT YOU FOLLOW THE INSTRUCTIONS EACH TIME YOU USE THE CHARGER.
 - b. To reduce risk of battery explosion, follow these instructions and those marked on the battery.
2. Use charger for charging a LEAD-ACID battery only. It is not intended to supply power to an extra-low-voltage electrical system or to charge dry-cell batteries. Charging dry-cell batteries may burst and cause injury to persons and property.
3. Use of an attachment not recommended or sold by ProMariner may result in a risk of fire, electric shock, or injury to persons.
4. To reduce risk of damage to electric plug and cord, pull by plug rather than cord when disconnecting charger.

Important Safety Instructions

5. Extension cords:
 - a. Check the pins on the plug of the extension cord are to be the same number, size and shape as those on the plug of the charger.
 - b. Use only a properly wired extension cord in good electrical condition.
 - c. Use an industrial grade / heavy duty UL or CSA approved and grounded extension cord. Check extension cord before use for damage, bent prongs, and cuts. Replace if damaged. Always make your extension cord connection on the charger side first. **After connecting the extension cord to the charger proceed to plug the extension cord into a nearby GFCI protected (Ground Fault Circuit Interrupt) outlet.** Below are manufacturer recommendations for the right size UL or CSA Approved grounded extension cord.
 - i. Up to 50 feet in length use a 3 conductor 18 AWG extension cord.
 - ii. 50 to 100 feet in length use a 3 conductor 16 AWG extension cord.
 - iii. 100 to 150 feet in length use a 3 conductor 14 AWG extension cord.
6. Do not operate charger if any protective AC and DC cable insulation, DC fuse holders, or ring terminals have been damaged or compromised. Contact ProMariner immediately to return the charger for service and repair.
7. Do not operate the charger if it has received a sharp blow, direct hit of force, been dropped or otherwise damaged in any way. Contact ProMariner immediately to return the charger for service and repair.
8. Do not disassemble charger. Incorrect reassembly may result in a risk of electric shock or fire. If service or repair is required please call ProMariner customer service at 800-824-0524 between 8:30am-5pm (EST) Monday through Friday, or via www.promariner.com. Unauthorized attempts to service, repair or modify may result in a risk of electrical shock, fire or explosion and will void warranty.
9. To reduce risk of electric shock, unplug charger from outlet before attempting any maintenance or cleaning.
10. Do not expose AC power cord connection to rain or snow.

Important Safety Instructions

11. GROUNDING AND AC POWER CORD CONNECTION INSTRUCTIONS

- a. Charger should be grounded to reduce risk of electric shock. Charger is equipped with an electric cord having in equipment-grounding conductor and a grounding plug. The plug must be plugged into **a GFCI protected (Ground Fault Circuit Interrupt) outlet** that is properly installed and grounded in accordance with all local codes and ordinances.

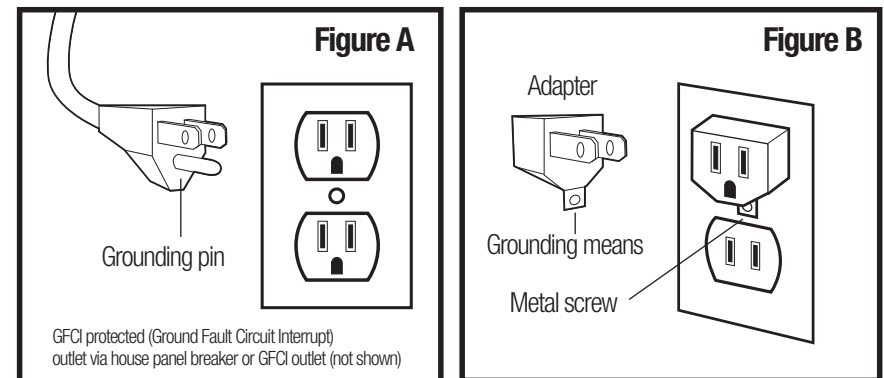
⚠ DANGER

Never alter AC cord or plug provided - If it will not fit outlet, have proper outlet installed by a qualified electrician. Improper connection can result in a risk of an electric shock.

- b. This battery charger is for use on a nominal 120-volt circuit, and has a grounding plug that looks like the plug illustrated in figure A. A temporary adapter, which looks like the adapter illustrated in figure B may be used to connect this plug to a two-pole receptacle as shown in figure B if a properly grounded outlet is not available. **The temporary adapter should be used only until a properly grounded GFCI protected outlet can be installed by a qualified electrician.**

⚠ DANGER

Before using adapter as illustrated, be certain that center screw of outlet plate is grounded. The green-colored rigid ear or leg extending from adapter must be connected to a properly grounded outlet - make certain it is grounded. If necessary, replace original outlet cover plate screw with a longer screw that will secure adapter ear or lug to outlet cover plate and make ground connection to grounded GFCI protected outlet.



Use of an adapter is not allowed in Canada. If a grounding type receptacle is not available, do not use this appliance until the proper GFCI protected outlet is installed by a qualified electrician.

Important Safety Instructions

12. PERSONAL PRECAUTIONS

CAUTION

- a. Consider having someone close enough or within the range of your voice to come to your aid when you work near a lead-acid battery.
- b. Have plenty of soap, water and baking soda nearby in case battery acid comes in contact with skin, clothes or eyes.
- c. Wear complete eye protection, hand and clothing protection. Avoid touching eyes while working near a battery.
- d. If battery acid contacts skin or clothing, wash immediately with soap and water. If acid enters eye, immediately flood eye with running cold water for at least 15 minutes and get medical attention immediately.
If electrolyte is taken internally, drink large quantities of water or milk. DO NOT induce vomiting. Get prompt medical attention.
- e. NEVER smoke, strike a match or cause a spark or flame in vicinity of battery or engine.
- f. Be extra cautious to reduce risk of dropping a metal tool onto the battery. It might spark or short-circuit a battery or other electrical hardware which may cause an explosion or fire.
- g. Remove all personal metal items such as rings, bracelets, necklaces, watches, and jewelry when working near a battery. A battery can produce a short circuit current high enough to weld a ring or any other metal, causing serious burns.
- h. Use charger for charging a LEAD-ACID battery only. It is not intended to supply power to a low voltage electrical system other than in a start-motor application. Do not use battery charger for charging dry-cell batteries that are commonly used with home appliances. These batteries may burst and cause injury to persons and damage to property.
- i. NEVER charge a frozen, damaged or leaking battery.
- j. Keep other persons, children and pets away from batteries and your charger during operation to avoid serious injury, death, fire or explosion.

DANGER: RISK OF ELECTRIC SHOCK

Do not touch uninsulated portion of output connector or uninsulated battery terminal if 3 or more batteries are connected in series.

Important Safety Instructions

13. PREPARING TO CHARGE A BATTERY

CAUTION

- a. If necessary to remove a battery from a boat to charge, **always remove the grounded negative terminal from the battery first.** Make sure all accessories in the boat are off, as to not cause an arc.
- b. Be sure the area around the charger and batteries is well ventilated while the battery is being charged.
- c. Neutralize with baking soda any electrolyte that spills on a vehicle or in the work area. After neutralizing, rinse contaminated area clean with water.
- d. Clean battery terminals. Be careful to keep corrosion from coming in contact with eyes.
- e. For flooded batteries with removable caps, ONLY ADD DISTILLED WATER in each cell until electrolyte reaches levels specified by the battery manufacturer. Do not over fill. For a maintenance free battery without removable caps, such as valve regulated lead acid batteries, carefully follow manufacturer's recharging instructions.
- f. Study all battery manufacturers' specific precautions; warnings and instructions while charging and recommended rates of charge. Never charge a battery with missing safety vent caps.
- g. Do not overcharge batteries or try to charge non 12 Volt Flooded (Lead-Acid), AGM or Gel batteries

Charger Location & DC Connection

14. CHARGER LOCATION

⚠ CAUTION

- a. Locate charger as far away from batteries as possible.
- b. Never place a charger directly above a battery being charged; gases or fluids from battery will corrode and damage charger.
- c. Do not operate charger in an enclosed area or in an area with restricted ventilation in any way.
- d. Never allow battery acid to drip on charger when reading electrolyte specific gravity or filling a battery.
- e. Do not set a battery on top of charger.
- f. Do not install on or over combustible surfaces.

15. DC CONNECTION PRECAUTIONS

⚠ CAUTION

- a. Connect and disconnect DC output cables only after removing AC cord from electric outlet. Never allow cables to touch each other.

IMPORTANT NOTICE: FCC CLASS B PART 15 NOTIFICATION

Your On-Board Marine Battery Charger has been designed and tested to comply with FCC Class B part 15. These regulations are to provide adequate protection against harmful interference while operated in a commercial application. If in a residential setting, you are encountering interference with TV and radio reception, simply remove AC power from the ProMariner unit to confirm if your battery charger is causing interference. End user can explore the following to minimize interference:

- 1) Chose a different AC circuit to power your On-Board Marine Battery Charger.
- 2) Make sure your outlet is properly grounded.
- 3) Re-position receiving antenna.
- 4) Purchase a separate AC line filter.
- 5) Relocate charger so that it is at the furthest point from home receiving equipment,TV, radio, etc.



General Overview

The all new ProSportHD Generation 4 boasts a new aggressive heavy duty tri-surface heatsink design. This new lightweight design delivers significantly faster charging through optimal cooling, while delivering true rated constant current charging amps during charge mode. ProSportHD's enhanced microprocessor and software control sports a dashboard of new digital features including: fuel gauge style Charge Completion Monitor, Charge Mode LED bar, individual dual mode Full / Fault Battery indicators and 3 digitally selectable performance charge profiles for Flooded (lead acid), AGM and GEL batteries. HP AGM profile on ProSportHD20 Dual only.

The new fuel gauge style Charge Completion Monitor indicates charge level progress during operation with a single red LED indicating low battery(s) are being charged. Dedicated dual mode battery indicators eliminate time consuming troubleshooting and clearly indicates individual battery wiring faults, or if a battery is less than 2.5 VDC and cannot accept a charge, when red. When green the battery is full and being monitored off line.

Distributed-On-Demand™ Technology automatically senses and distributes 100% of available charging amps to any one bank or combination of all banks. All unused charging amps are Distributed-On-Demand™ to batteries on board requiring additional charging amps.

Fully automatic multi-stage charging enhances battery performance while extending battery life with 5 sequential stages: Analyzing, Charging, Conditioning, Auto Maintain (Energy Saver) and a once a month storage recondition mode that is safe for short and long term storage. System Check OK and Battery Status indicators provide real time installation and battery fault status feedback, eliminating time consuming troubleshooting.

Energy Saver Mode: after fully charging and conditioning batteries, ProSportHD will monitor and auto maintain batteries only when needed to maintain a full state of charge. This significantly reduces AC power consumption and lowers operating costs while maximizing battery performance.

Designed for use in harsh environments ProSportHD is 100% waterproof and up to 40% lighter than traditional epoxy filled chargers. ProSportHD utilizes industrial grade jacketed DC and AC power cables which include new molded strain reliefs and wire splitters. Listed and certified to UL Marine 1236 SB, new energy efficient CEC (California Energy Commission) and DOE (Department of Energy) requirements and complies with FCC Class B. 3 Year warranty with built-in safety features including dual inline waterproof fuses, reverse polarity, over-temperature, over-current, over-voltage and ignition protection.

General Operation

Install your ProSportHD On-Board Marine Battery Charger to the guidelines in this manual. Do not alter the ProSportHD during the installation process. Extra equipment or cable length is available if required.

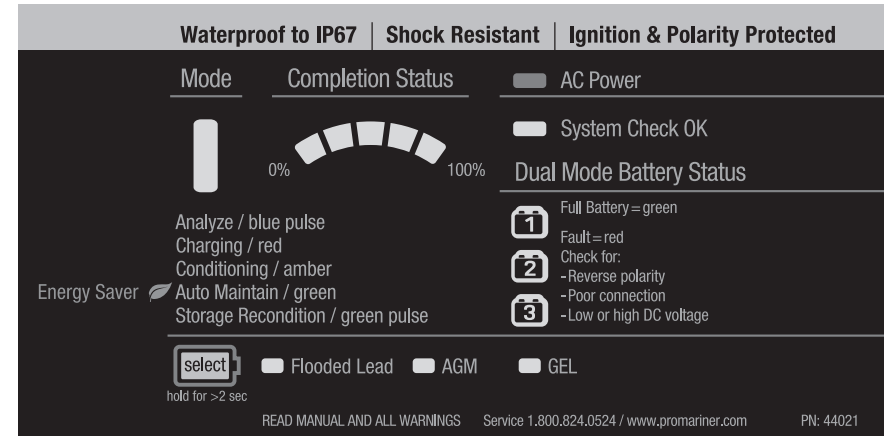
The ProSportHD will automatically fully charge and condition your batteries while it extends the life of your batteries. When you're not at home, always leave your charger plugged in to reduce sulfate build-up, allowing your batteries to be fully charged and automatically maintained for your next fishing trip.

The ProSportHD design incorporates a Storage Recondition mode that stimulates and reconditions your on-board batteries for 3 hours once a month and when completed will resume its normal energy saver auto maintain mode. During this mode the LED mode bar will illuminate green but with a fade-in fade-out pulse, indicating Storage Recondition mode is active with the green Auto Maintain LED still illuminated indicating your batteries remain fully charged during this process.



ProSportHD Charge Mode LEDs

The LED mode bar will change as each mode is completed.



Analyze (Pulsing Blue Mode LED):

After installing the ProSportHD according to this instruction manual, followed by applying AC power to the charger, the ProSportHD's blue Mode LED will be pulsing indicating, the charger is in the process of analyzing: connections, polarity and that the battery(s) connected are over 2.5 VDC and are able to accept a charge.

This takes approximately one minute.

Charging (Red Mode LED):

Mode LED will be solid red during charging.

Conditioning (Amber Mode LED):

Mode LED illuminates solid amber during conditioning mode.

Auto Maintain - Energy Save Mode (Green Mode LED):

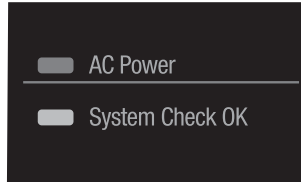
Mode LED illuminates solid green when batteries are being monitored to automatically maintain your fully charged battery(s) during short or long term storage periods.

Storage Recondition (Pulsing Green Mode LED):

Mode LED pulses when performing a once a month Storage Recondition mode to your battery(s).

ProSportHD LED Display and Charge Monitor

The ProSportHD Charger includes 6 LEDs for operation status, up to 3 battery bank trouble LEDs depending on model and a battery gauge Charge Monitor.

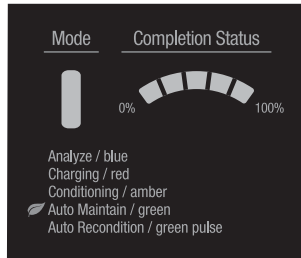


Blue AC Power LED

Power Indicator Illuminates when AC power is present.

System Check OK (Green LED):

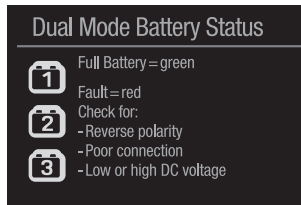
If all tests pass, the System Check OK indicator will illuminate green, providing positive confirmation your charger is installed properly and your batteries are capable of being charged followed by the charging process.



Completion Status Monitor

The Charge Monitor has 4 green LEDs and 1 dual color green/red LED. When the batteries are low, the first LED bar illuminates. During the Charge process the first Completion Status LED will transition to green. As the charging process progresses, the other Completion Status LEDs will turn on until all 5 LEDs are on and the batteries are fully charged.

This feature provides at-a-glance charge status so you can see the charge level of the lowest battery.



Dual Mode Battery Status

Depending on the model, up to 3 LEDs can illuminate red indicating a wiring problem or fault with any of the individual battery(s) connected to the charger, including batteries that are under 2.5 VDC that should be tested by your local battery dealer before trying to charge them. See page 27 for further details.

As each bank completes its charge cycle, the dual mode status indicator will illuminate green to let you know the corresponding bank has completed its charge cycle.

Note: These will be off during charge and conditioning

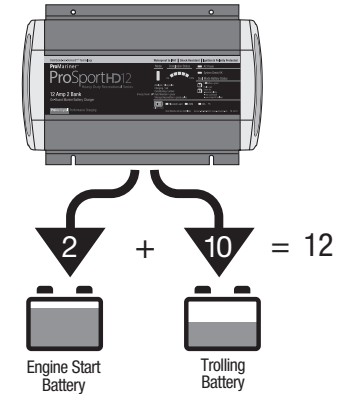
Distributed-on-Demand™ vs. Traditional Charging Output

ProSportHD's Distributed-On-Demand™ feature will automatically distribute 100% of its available charging amps of 8, 10, 12, 15 or 20 amps (model specific) to any one battery or combination of all batteries. This feature ensures all available charging amps are used, unlike other 2 and 3 bank on-board chargers with a fixed amp limit per charger bank / DC output cable. See below for the Distributed-On-Demand™ Technology advantage versus leading fixed amp per bank chargers.

ProSportHD Distributed-On-Demand™ Charging

Distributed-On-Demand Charging Technology

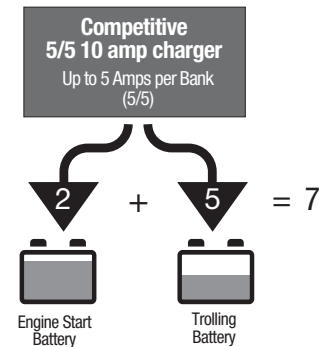
ProSportHD's Distributed-On-Demand™ Charging Technology ensures 100% of the available charging amps are fully utilized to meet the demand of each battery on-board. For example, if your engine start battery only needs 2 amps from your ProSportHD 12 (6/6) 2 bank charger; the unused 4 amps will be automatically Distributed-On-Demand™ to provide a total of 10 amps to the trolling motor battery versus only 5 amps that the conventional 5/5 charger would provide.



Typical Leading Competitive Charging

Leading Competitor's Charging Technology

Competitive chargers have an amp limitation per bank. As illustrated the (5/5) 10 amp charger cannot transfer the unused 3 amps not required by the engine start battery, leaving only a maximum of 5 amps for the trolling motor battery.



Note: Above illustration reflects typical battery usage after a day of fishing. Trolling motor batteries are 50% discharged and not usable. Engine start battery is 90% charged from the engine charging system.

Fully Automatic Charge Profile

The ProSportHD is designed for all 12 Volt Flooded (Lead-Acid), AGM and Gel batteries.

After completing the installation of your new ProSportHD Charger and with no wiring or connection errors, the battery(s) connected are greater than 2.5VDC and can accept a charge, the ProSportHD will sequentially perform the following 5-Stage Digital Performance Charging Process. If your battery(s) are full, the charger will start maintaining your batteries immediately after it finishes analyze mode.

5 Stage Performance Charging Overview

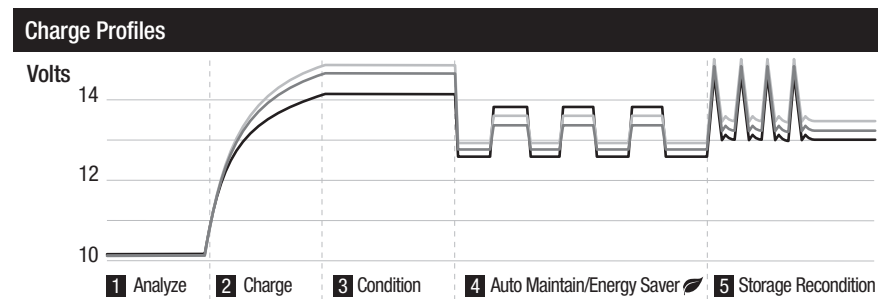
Stage 1 - Analyze & System Check OK: During this stage the ProSportHD Mode LED will pulse blue indicating it is analyzing all battery connections and ensuring each battery is capable of being charged. When completed successfully, the System Check OK indicator will illuminate green. This takes approximately 1 minute.

Stage 2 - Charge: During this stage the ProSportHD Mode LED will be solid red and the ProSportHD will use all of its available charging amps (as controlled by temperature) until the battery voltage is raised to the selected Battery Types absorption voltage (see page 14).

Stage 3 - Condition: During this stage the ProSportHD Mode LED will be solid amber and the ProSportHD will hold all batteries at the selected absorption voltage to complete charging while conditioning each battery connected for up to 3 hours as needed.

Stage 4 - Auto Maintain (Energy Saver Mode): During this stage the ProSportHD's Mode indicator will be solid green, indicating it is monitoring and auto maintaining your batteries when needed to maintain a full state of charge. At this time, the blue Power LED, green System OK and green Mode LEDs will remain on letting you know your batteries are ready when you are.

Stage 5 - Storage Recondition: During this stage the ProSportHD will enter into its once a month Storage Recondition mode. The green Mode LED will pulse indicating, while your batteries / boat are in storage, the ProSportHD is reconditioning all batteries for up to 3 hours once a month to extend battery life and provide maximum reserve power performance on the water.



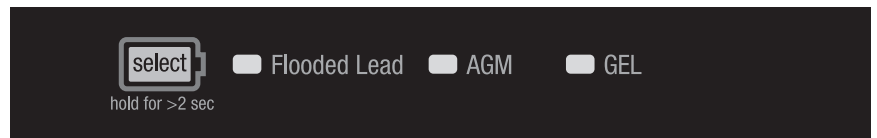
Understanding Battery Types & Charger Settings

There are three primary types of batteries in the marketplace today; standard Flooded (Lead-Acid), AGM (Absorbed Glass Mat)/ high performance AGM, and Gel cell (Gelled Electrolyte Lead-Acid). Traditionally, the most common type of batteries used are Flooded (Lead-Acid) batteries. Almost all Gel cell batteries will state that they are Gel cell on the battery case or labels. Shown below are typical battery voltages at absorption and float levels.

LED	Battery Type	Charging Profile
Blue	Standard Flooded	14.6VDC Absorption 13.4VDC Float
Green	AGM (HP AGM*)	14.7VDC Absorption 13.6VDC Float
Yellow	GEL	14.1VDC Absorption 13.8VDC Float

*Only on ProSportHD20 and ProSportHD20 Global

NOTE: AGM (Absorbed Glass Mat) batteries are not Gel (Gelled Electrolyte Lead-acid) batteries. Gel batteries require a completely different charge profile that must be selected versus the out of the box factory setting. AGM batteries can accept the same charging profile as Flooded (Lead-acid) batteries.



Selecting a Charging Profile & Understanding Battery Types

Your battery charger is equipped with a user programmable battery type selector that is factory set for standard Flooded (Lead-Acid) batteries.

To select a different battery profile, use the following steps:

1. Power on the charger.
2. Press and hold the select button for more than 2 seconds to enter battery type select.
Note: You can only enter battery type selection in analyze mode (Pulsing blue status LED)
3. Press and release the select button to cycle through battery types.
4. Press and hold the select button for more than 2 seconds to set the battery type.

Installation

All ProSportHD Battery Chargers are designed to be permanently mounted on-board, and can be mounted vertically or horizontally.

Always mount your ProSportHD in a compartment area that can be properly ventilated during use.

Do NOT mix battery types on-board. All batteries should be of the same age, chemistry and in good operating condition.

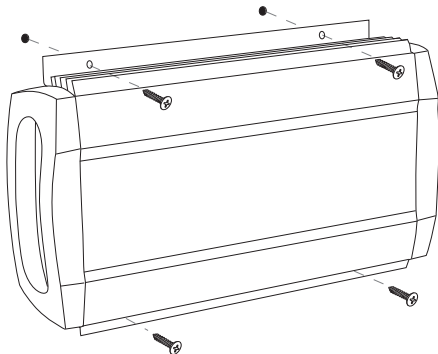
Do NOT make any electrical connections to the ProSportHD or batteries until the following steps are completed:

11 Easy to follow installation steps:

1. Select a mounting location that allows for free air ventilation with a minimum of 6 inches of clear unobstructed space around and in front of the ProSportHD charger. Open all battery and engine compartments and ventilate for at least 15 minutes before starting the installation of the ProSportHD charger. Confirm all battery cables can reach each of the batteries.

Note: For installations requiring an extension of the DC battery charger cables, please call or visit your retailer or dealer to purchase ProMariner's 5 foot or 15 foot battery charger DC cable extenders. Our innovative cable extenders are properly fused and do not require any cutting or stripping of wires. If you have any problems locating this accessory call ProMariner at 1-800-824-0524.

2. Do not install charger on carpeted, upholstered, vinyl, or varnished areas. Be sure to place the ProSportHD in an accessible area where all indicators are viewable. Install this unit on a hard surface.
3. Using the ProSportHD or the enclosed template, mark the position of each mounting hole. Insure the mounting screws will not puncture or protrude into a live well, a fuel or oil tank or the bottom of the boat.
4. Using a 1/8" drill bit, drill pilot holes in the (4) marked locations as described in step 3. Apply a silicon sealer in each of the mounting locations to waterproof the screw holes.
5. Position the ProSportHD over the mounting holes and secure with a power screwdriver by installing 4 stainless steel # 10 screws. (Mounting screws included)



1/8" pilot hole with silicon sealer

IMPORTANT NOTICE

- Maintain an obstruction-free area of 6 inches around the product.
- Prior to mounting, confirm mounting surface has adequate strength and thickness.
- Check for electrical or fuel lines on or behind surface.
- Consult boat manufacturer for suggested mounting location or procedure.

Installation Continued

6. Prepare each battery in advance by cleaning each terminal post with a wire brush until a shiny surface is obtained.
7. Run cables free from sharp objects and hold each in place with cable ties. Coil excess cable, do not cut or shorten the length of the cables, as in-line fuses are located 4 inches from the end of each cable. These fuses protect the charger and output cables in the event of a short. We recommend the use of wire ties or cable clamps to provide strain relief for the cables and to reduce the risk of damage to the cables or connections.
8. Connect the DC output cables as illustrated on pages 18-24. Make sure the black wires are connected as illustrated to the negative side of the battery and the red wires are connected to the positive side of the battery.

Important Note: Your ProSportHD charger will not operate properly if it is not correctly connected to your batteries. Reminder: Each DC jacketed bank cable must be connected to a 12V battery. If there are more charger outputs than batteries, then sets of leads can be doubled on the larger battery in your system. Example: A 3 bank ProSportHD should be connected to three 12V batteries, but can be connected to as few as two, provided all the charger leads are connected and the 2 banks are connected to the highest capacity battery. Select the applicable wiring illustration on pages 18-24.

9. Make sure all DC connections are correct, tight, and free from corrosion.
10. Locate the AC power cord in an open-air area of your boat at least 21 inches from the charger, batteries, and fuel fill lines.
11. Connect a heavy duty UL approved extension cord to the ProSportHD charger first. **After connecting the extension cord to the charger, proceed to plug the extension cord to a nearby GFCI protected (Ground Fault Circuit Interrupt) outlet.** Always remove the extension cord from the outlet first when charging is completed, followed by unplugging the charger. You are now connected and charging your batteries, and can view the LED indicators.

Wiring your ProSportHD Charger Correctly

Simply choose the illustration that has the same number of charger output bank cables as your ProSportHD Battery Charger and wire exactly as shown (choose the illustration that matches your application) for proper charger operation.

Incorrect wiring can result in reverse polarity, caused by putting the "red" + lead on a negative battery terminal and the "black" - lead on the positive terminal. In the event this happens, the ProSportHD Charger has been designed to not fail as a result; however, it will cause the charger to "internally disconnect" and provide "no output" until the reverse polarity is corrected. In the event of miswired battery(s), the charger will illuminate a red battery trouble status LED for the specific battery requiring attention.

Installation

When connecting each jacketed battery charger cable, make sure it is connected to only **one 12 VDC battery** and observe the polarity and color of all connections:

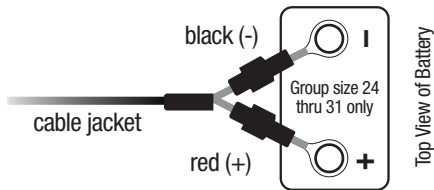
Red Wire = + (Positive) Battery connection

Black Wire = - (Negative) Battery connection

The black wire can never be connected to a terminal with red wires. Only black.

Important: The pair of red and black wires in 1 cable jacket MUST GO TO THE SAME 12VDC battery.

Each charger cable must be connected to 1 battery, just as shown. Observe black to (-) and red to (+). Do this for each battery.



When connecting to an engine start battery only connect the battery bank cable that is LABELED: "FOR ENGINE START BATTERY USE THIS BANK CABLE ONLY".

Application Tip

If your application is for 4D or 8D large capacity batteries, please refer to ProMariner's website www.promariner.com and view our ProNauticP Hardwired Charger Assortment for a model that is correct for this group size of batteries.

If there are more charger outputs than batteries, then sets of leads can be doubled on the larger battery in your system. Typically these are connected to the more drained trolling motor battery. Please contact ProMariner if you require assistance.

Note: ProSportHD Waterproof Marine Battery Chargers are designed for any combination of group 24, 27, 29, 30 and 31 batteries. Each battery charger DC output cable must be connected to one (1) 12 Volt DC battery (even if batteries are configured for 24 Volt DC or 36 Volt DC trolling motor or system applications). Most specifically you do not have to remove series or parallel jumper cables to use your ProSportHD Charger. See typical wiring diagrams for these systems in the installation section of this manual.

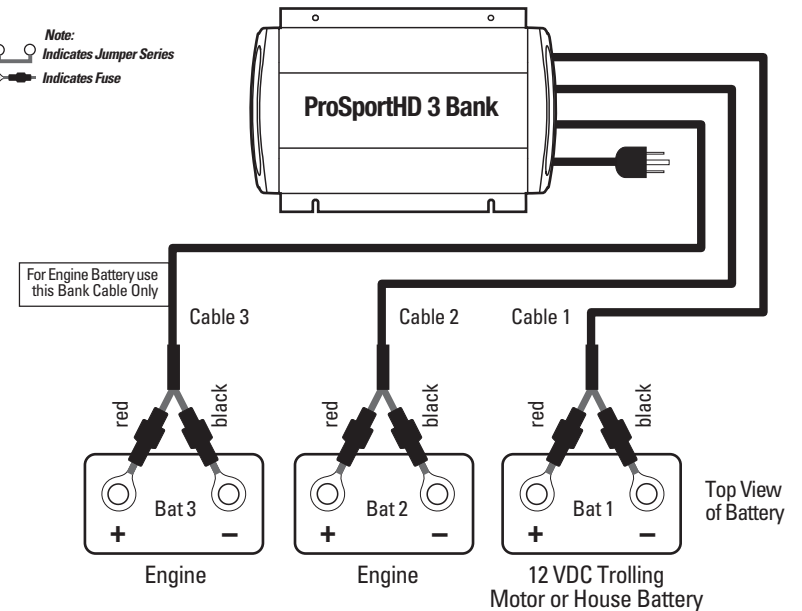
Note: The ProSportHD must be connected to batteries to operate. It will not operate as a 12 volt power supply.

Typical Wiring

Fig. 1 ProSportHD Three Bank Charger for 3 12V Batteries

Dedicated 12 VDC Trolling Motor or House Battery and 2 Engine Crank Batteries
Typical Configuration

Note:
○—○ Indicates Jumper Series
○—○ Indicates Fuse



Installation

When connecting each jacketed battery charger cable, make sure it is connected to only **one 12 VDC battery** and observe the polarity and color of all connections:

Red Wire = + (Positive) Battery connection

Black Wire = - (Negative) Battery connection

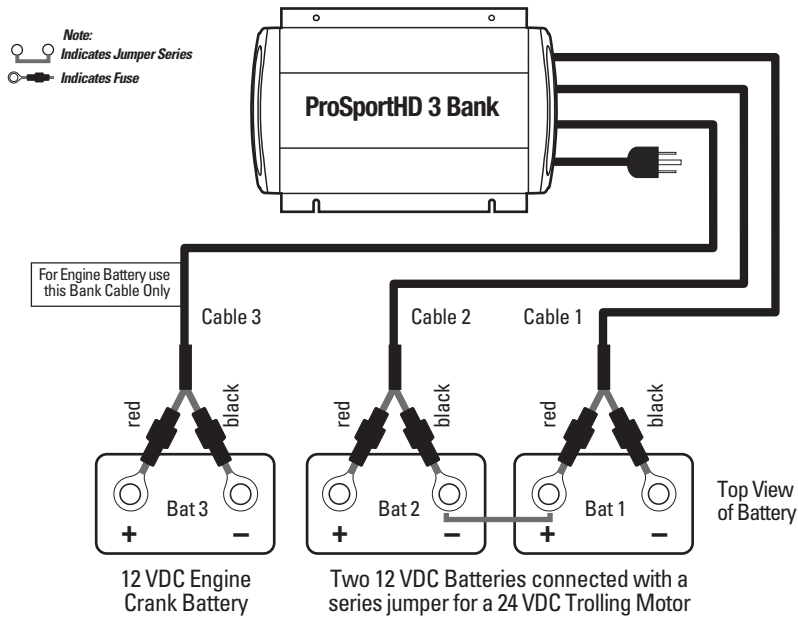
The black wire can never be connected to a terminal with red wires. Only black.

Important: The pair of red and black wires in 1 cable jacket MUST GO TO THE SAME 12VDC battery.

Typical Wiring

Fig. 2 ProSportHD Three Bank Charger for 3 12V Batteries

24 VDC Trolling Motor or House Battery Configuration with (2) 12 VDC Batteries Connected with a Series Jumper Plus Dedicated 12 VDC Engine Start Battery



Installation

When connecting each jacketed battery charger cable, make sure it is connected to only **one 12 VDC battery** and observe the polarity and color of all connections:

- Red Wire = + (Positive) Battery connection
- Black Wire = - (Negative) Battery connection

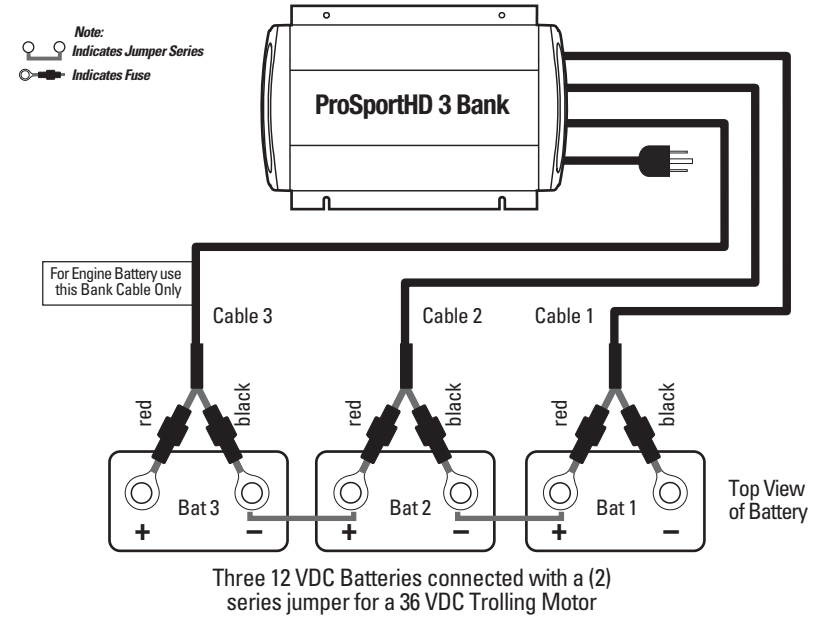
The black wire can never be connected to a terminal with red wires. Only black.

Important: The pair of red and black wires in 1 cable jacket MUST GO TO THE SAME 12VDC battery.

Typical Wiring

Fig. 3 ProSportHD Three Bank Charger for 3 12V Batteries

Dedicated 36 VDC Trolling Motor Battery Configuration with (3) 12 VDC Batteries Connected with (2) Series Jumpers



Installation

When connecting each jacketed battery charger cable, make sure it is connected to only **one 12 VDC battery** and observe the polarity and color of all connections:

- Red Wire = + (Positive) Battery connection
- Black Wire = - (Negative) Battery connection

The black wire can never be connected to a terminal with red wires. Only black.

Important: The pair of red and black wires in 1 cable jacket MUST GO TO THE SAME 12VDC battery.

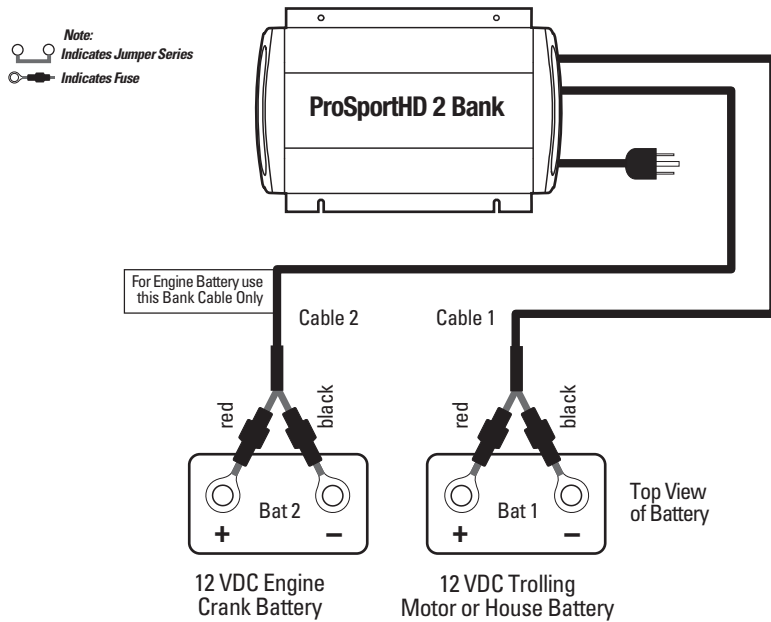
⚠ DANGER: RISK OF ELECTRIC SHOCK.

Do not touch uninsulated portion of output connector or uninsulated battery terminal if 3 or more batteries are connected in series.

Typical Wiring

Fig. 4 ProSportHD Two Bank Charger for 2 12V Batteries

12 VDC Trolling Motor or House Battery Configuration with a Dedicated 12 VDC Engine Start Battery



Installation

When connecting each jacketed battery charger cable, make sure it is connected to only **one 12 VDC battery** and observe the polarity and color of all connections:

Red Wire = + (Positive) Battery connection

Black Wire = - (Negative) Battery connection

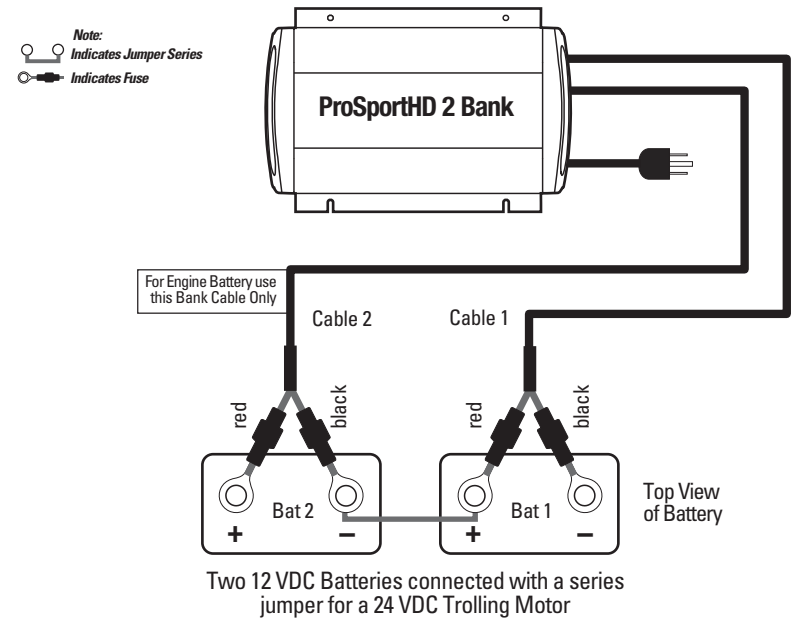
The black wire can never be connected to a terminal with red wires. Only black.

Important: The pair of red and black wires in 1 cable jacket MUST GO TO THE SAME 12VDC battery.

Typical Wiring

Fig. 5 ProSportHD Two Bank Charger for 2 12V Batteries

Dedicated 24 VDC Trolling Motor Battery Configuration with (2) 12 VDC Batteries Connected with a Series Jumper



Installation

When connecting each jacketed battery charger cable, make sure it is connected to only **one 12 VDC battery** and observe the polarity and color of all connections:

Red Wire = + (Positive) Battery connection

Black Wire = - (Negative) Battery connection

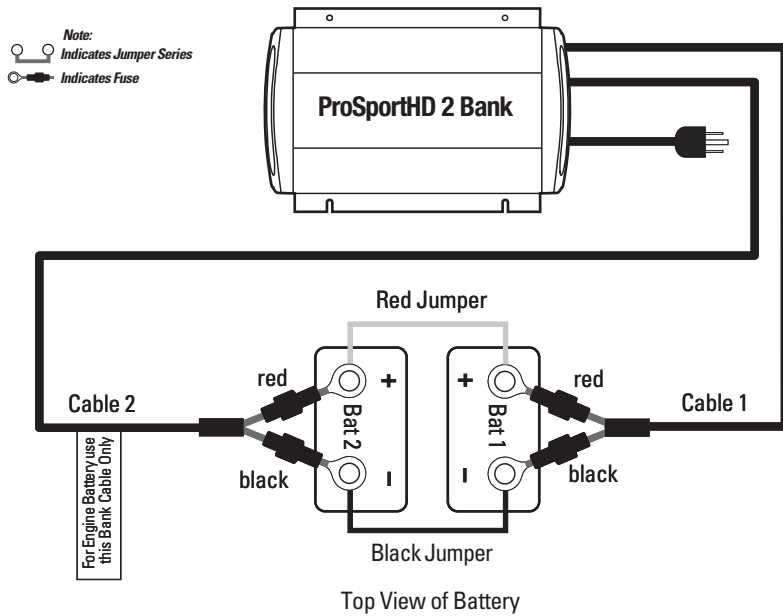
The black wire can never be connected to a terminal with red wires. Only black.

Important: The pair of red and black wires in 1 cable jacket MUST GO TO THE SAME 12VDC battery.

Typical Wiring

Fig. 6 ProSportHD Two Bank Charger for 2 12V Batteries in Parallel

Dedicated 12 VDC Parallel Trolling Motor or House Configuration



Installation

When connecting each jacketed battery charger cable, make sure it is connected to only **one 12 VDC battery** and observe the polarity and color of all connections:

Red Wire = + (Positive) Battery connection

Black Wire = - (Negative) Battery connection

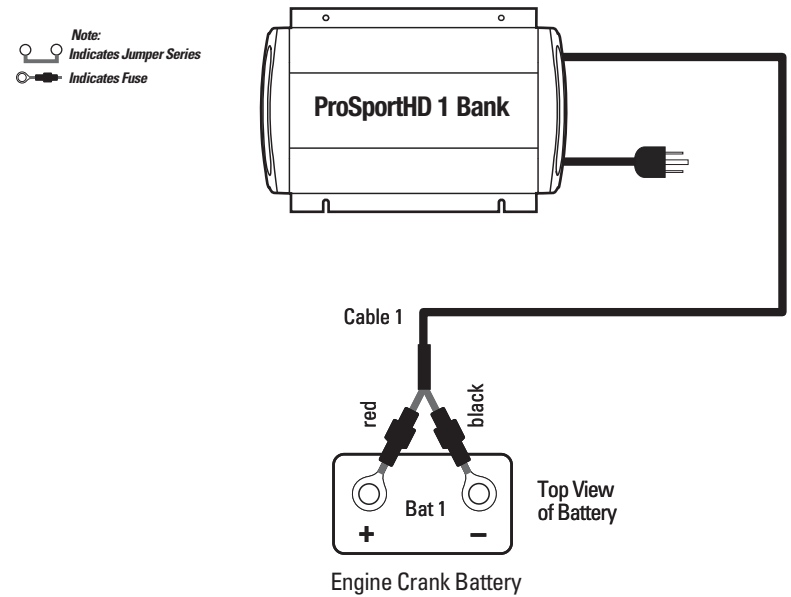
The black wire can never be connected to a terminal with red wires. Only black.

Important: The pair of red and black wires in 1 cable jacket MUST GO TO THE SAME 12VDC battery.

Typical Wiring

Fig. 7 ProSportHD One Bank Charger for 1 12V Battery

Dedicated 12 VDC Trolling Motor, House or Engine Battery Configuration



Installation

When connecting each jacketed battery charger cable, make sure it is connected to only **one 12 VDC battery** and observe the polarity and color of all connections:

Red Wire = + (Positive) Battery connection

Black Wire = - (Negative) Battery connection

The black wire can never be connected to a terminal with red wires. Only black.

Important: The pair of red and black wires in 1 cable jacket MUST GO TO THE SAME 12VDC battery.

Charging Your Batteries

The ProSportHD is designed to charge, condition, and auto maintain your batteries during short or long term periods of storage or non use. Please follow these steps each time you use your ProSportHD Charger:

1. Read manual and all warnings.
2. Review "Preparing to Charge a Battery" on page 6.
3. Ensure charger is installed as per the installation instructions.
4. Connect a heavy duty UL approved extension cord to the ProSportHD Charger first. After connecting the extension cord to the charger, proceed to plug the extension cord to a nearby GFCI protected outlet. Anytime power is applied to the ProSportHD the blue LED will illuminate.
5. The Mode LED will pulse blue indicating the charger is in Analyze mode. While the charger is analyzing your batteries, check that you have the correct battery profile selected. **This mode takes approximately 1 minute for the ProSportHD to do a self test, check all wiring connections, and make sure the batteries are greater than 2.5 Volts DC and are able to take a charge.**

Assuming there are no battery faults, the green System Check OK LED will illuminate and the following charger operation sequences will proceed:

Note: If there is a bad connection, reverse polarity, or a battery that is below 2.5 VDC that can not accept a charge, then a RED Battery Trouble status LED will illuminate for the battery that requires attention. See page 27 for further troubleshooting details.

6. The mode LED will transition to red indicating the charger has entered the Charging stage as outlined in the Multi-Stage Charging Overview section of this manual.
- ⚠ CAUTION: HOT SURFACE.** Avoid contact during charging operation as unit will be hot to the touch but operating safely and properly.
7. The mode LED will transition to amber indicating that the ProSportHD will hold all batteries at the selected absorption voltage to complete charging by conditioning each battery for up to 3 hours as needed.
8. When the charge process is complete (or if your batteries are fully charged when you apply AC power) the mode LED will transition to green indicating your batteries are fully charged and the charger is in auto maintain mode.

Owner's Periodic Maintenance Guide

Item:	Battery Connections
Process:	Clean and tighten all battery connections. Follow battery manufacturer's instructions for cleaning a battery. Clean all battery terminals with a wire brush where required and tighten all battery connections.
When:	Monthly
Item:	Battery Electrolyte
Process:	Per battery manufacturer's instructions, monitor, and maintain proper levels of distilled water in each battery.
When:	Monthly / Before and after each trip or extensive use of batteries.
Item:	DC Output Wiring
Process:	Visually inspect all wiring for cuts and abrasions. Contact ProMariner if your ProSportHD On-Board Marine Battery Charger needs to be serviced.
When:	Monthly
Item:	AC Power Cord
Process:	Visually inspect the AC power cord. Confirm ground blade is present and all plug blades are in good condition and not bent out of place.
When:	Monthly
Item:	Mounting Hardware Inspection
Process:	Check all mounting hardware to ensure there is no loose hardware. Tighten where required.
When:	Monthly

Troubleshooting

No LEDs turn on when plugged in.

1. Check for AC power
 - a. Check AC power quality by using a lamp or similar appliance to verify:
 - i. The GFCI has not tripped.
 - ii. The extension cord is of good quality with good connections.
2. If AC power quality is verified with a lamp or similar appliance and LEDs do not illuminate, contact ProMariner.

Red Fault LED is ON

1. Identify the bank LED that is on.
2. Check for the following on the corresponding bank for:
 - a. Clean and tight connections.
 - b. Blown fuses.
 - i. Visually inspect fuses or test with multimeter.
 - c. Reverse Polarity.
 - i. Verify that your red lead is connected to the positive terminal and the black lead is connected to the negative terminal.
 - d. Leads are across more than one 12 volt battery.
 - i. Verify leads are connected to only one 12V battery.
 - e. Low battery voltage
 - i. Verify the battery voltage is above 2.5 volts DC.
3. If none of the above situations are found and the Red Fault LED is still on, contact ProMariner.

Charge Mode bar is green & Red Fault LED is ON

Your battery did not complete charging during a normal charge cycle.

1. Power off your charger
2. Allow batteries to rest for 1 hour
3. Power on your charger.
4. If the fault occurs again, have your battery tested.
5. If your battery is good, the charger may be undersized for your battery, contact ProMariner.

Contact ProMariner at 1-800-824-0524 from 8:30am to 5pm Eastern, by email at support@promariner.com, or visit us on the web at www.promariner.com

ProSportHD Marine Battery Charger Warranty

We are committed to customer satisfaction and value your business. If at any time during the warranty period you experience a problem with your new ProSportHD Marine Battery Charger, simply call us at 1-800-824-0524 between 8:30am-5pm (EST) Monday through Friday, for technical support or email info@promariner.com

WARRANTY CARD CAN BE REGISTERED AT WWW.PROMARINER.COM or the warranty card included in this manual can be completed and sent to ProMariner by mail.

PROMARINER PROSPORT HD ON-BOARD MARINE BATTERY CHARGER LIMITED THREE-YEAR FACTORY WARRANTY

Each ProSportHD Marine Battery Charger model is guaranteed against defects in material and workmanship to the original consumer in normal use for 3 years from the date of purchase. ProMariner will at its discretion repair or replace free of charge any defects in material or workmanship.

The following conditions apply:

- Warranty and repair adjustment calculated from manufacture date if not registered or proof of purchase within two weeks of sale.
- Warranty void if unauthorized repairs attempted.
- Deep water damage not covered under warranty
- Customer is responsible for shipping return unit to the ProMariner factory service center listed below.
- Cosmetic repairs are done at the owner's request and expense.

Purchase or other acceptance of the product shall be on the condition and agreement that ProMariner SHALL NOT BE LIABLE FOR INCIDENTAL OR CONSEQUENTIAL DAMAGES OF ANY KIND. (Some states do not allow the exclusion or limitation of incidental or consequential damages, so the above limitations may not apply to you.) This warranty is made in lieu of all other obligations or liabilities on the part of ProMariner. ProMariner neither assumes nor authorizes any person for any obligation or liability in connection with the sale of this product.

To make a claim under warranty, go to www.promariner.com and click on the resources tab and follow the instructions making sure to identify the product and the problem. If you can not use our online warranty claim registration, please feel free to call the ProMariner factory service center at the toll free number listed below. ProMariner will make its best effort to repair or replace the product, if found defective within the terms of the warranty, within 30 days after return of the product to the company. ProMariner will ship the repaired or replaced product back to the purchaser. This warranty gives you specific legal rights, and you may also have other rights, which vary from state to state or province to province. This warranty is in lieu of all others expressed or implied.

ProMariner
 Factory Service Center & Technical Support
 15 Dartmouth Drive, STE 101
 Auburn, NH 03032.

USA TOLL FREE: 1-800-824-0524
 Tel: (603) 433-4440 / Fax: (603) 433-4442 / Email: support@promariner.com
 Visit us on the web at: www.promariner.com

ProSportHD

Chargeur de batterie nautique embarqué



Étanche

Batteries à électrolyte
liquide, AGM et Gel

3 Ans de garantie

Écoénergétique



Manuel du propriétaire et guide d'installation

Réf	Modèle	Volts	Intensité totale	Nbre bat	Câbles	Dimensions (H x W x D)	Poids	Alimentation c.a.
44006	ProSportHD6	12	6	1	1,8 m	19,6 x 20 x 7,4 cm	1,7 kg	110-120V AC 60 Hz
44008	ProSportHD8	12/24	8	2	1,8 m	22,6 x 20 x 7,4 cm	2,3 kg	110-120V AC 60 Hz
44010	ProSportHD10 OE	12/24	10	2	1,8 m	26,6 x 20 x 7,4 cm	2,7 kg	110-120V AC 60 Hz
44012	ProSportHD12	12/24	12	2	1,8 m	26,6 x 20 x 7,4 cm	2,7 kg	110-120V AC 60 Hz
44015	ProSportHD15 OE	12/24/36	15	3	1,8 m	32,6 x 20 x 7,4 cm	3,5 kg	110-120V AC 60 Hz
44020	ProSportHD20	12/24	20	2	1,8 m	32,6 x 20 x 7,4 cm	3,3 kg	110-120V AC 60 Hz
44021	ProSportHD20Plus	12/24/36	20	3	1,8 m	32,6 x 20 x 7,4 cm	3,5 kg	110-120V AC 60 Hz
44023	ProSportHD6 Global	12	6	1	1,8 m	19,6 x 20 x 7,4 cm	1,7 kg	100-240V AC 50/60 Hz
44026	ProSportHD12 Global	12/24	12	2	1,8 m	28,6 x 20 x 7,4 cm	2,9 kg	100-240V AC 50/60 Hz
44028	ProSportHD20 Global	12/24	20	2	1,8 m	34,6 x 20 x 7,4 cm	3,7 kg	100-240V AC 50/60 Hz
44029	ProSportHD20Plus Global	12/24/36	20	3	1,8 m	34,6 x 20 x 7,4 cm	4 kg	100-240V AC 50/60 Hz

AVIS IMPORTANT

Veillez conserver et lire toutes les instructions de sécurité, d'utilisation et d'installation avant d'installer ou d'appliquer la tension du secteur à votre chargeur de batterie nautique embarqué ProSportHD de ProMariner.

La satisfaction du client est notre priorité!

Veillez ne pas retourner cet appareil au détaillant ni au concessionnaire pour une demande d'entretien ou de garantie. Veuillez appeler notre Service d'aide à la clientèle au 1 800 824-0524 de 8 h 30 à 17 h heure de l'Est pour toute demande de garantie, de service ou d'assistance à l'installation. Merci – Service à la clientèle ProMariner

Pour une utilisation avec des batteries 12 volts au plomb à électrolyte liquide, AGM et Gel. Ne pas utiliser avec les batteries grande capacité 4D et 8D, se reporter à la série ProNautic P de ProMariner pour ces applications sur www.promariner.com.

Numéro de modèle : _____ Numéro de série : _____ Date d'achat : _____

Visitez ProMariner en ligne sur le site www.promariner.com, pour un choix complet de produits marins de grande qualité...

En voici quelques-uns :

- Série ProMar1DS – Chargeurs de batterie étanches pour nautisme de plaisance
- Série ProSportHD – Chargeurs de batterie à usage intensif pour nautisme de plaisance
- Série ProTournament*elite* – Chargeurs de batterie professionnels pour la compétition nautique
- Série ProNauticP – Chargeurs de batterie pour la navigation de plaisance et de croisière
- Série ProIsoCharge – Isolateurs chargeurs numériques sans chute de tension
- Chargeurs numériques mobiles de chargement en transit
- ProSportHD 1,5 - A Mainteneurs de batterie
- Supports de fiche secteur universel
- Isolateurs de batterie
- Isolateurs galvaniques et systèmes contrôlés
- Support technique et service à la clientèle en ligne

Consultez notre site fréquemment, nous ajoutons de nouveaux produits en permanence pour satisfaire votre plaisir de naviguer!

Professional Mariner, LLC
15 Dartmouth Drive, STE 101
Auburn, New Hampshire 03032
Tél. : 603-433-4440
Télécopieur : 603-433-4442
www.promariner.com

Caractéristiques sujettes à modifications sans avertissement préalable

Conçu et fabriqué conformément à
UL 1236 SB
CSA C22.2 No. 107.2
FCC Classe B, listé CEC et DOE
ABYC A-31



Table des matières

Introduction...	33
Instructions sécuritaires importantes...	34-39
Présentation générale...	40
Fonctionnement général...	41-46
Installation...	47-49
Câblage typique...	50-56
Chargement des batteries...	57
Entretien...	58
Dépannage...	59
Garantie...	60

Remarque importante concernant l'utilisation du chargeur :

Une fois votre nouveau ProSportHD installé et correctement branché aux batteries, vous êtes prêt à le brancher au secteur.

Veillez noter que le ProSportHD dispose d'une fonction qui analyse tous les branchements de la batterie et les batteries pour déterminer si les batteries du bateau sont capables d'être chargées correctement. Le mode d'analyse est automatique et a lieu à chaque fois que l'appareil est branché dans une prise protégée par un disjoncteur de fuite de terre. L'autovérification prend environ 1 minute pour s'effectuer.

Pendant le processus d'analyse, la DEL de mode clignote en bleu. Lorsque la procédure est terminée, que tout est branché correctement, que les batteries sont valides (OK) et disposent d'une tension supérieure à 2,5 V c.c., le chargeur enregistre et allume alors le voyant vert de validité du système (System Check OK) suivi par l'allumage fixe en rouge ou en vert de la DEL de mode de charge qui indique que les batteries sont en cours de chargement ou en cours d'entretien.

Si le voyant de validité du système (System Check OK) ne s'allume pas en vert fixe au bout d'une minute, vérifier les points suivants :

- mauvaise connexion
- fusible de câble c.c. grillé
- polarité inverse
- câblage sur 2 batteries
- la tension de la batterie est inférieure à 2,5 V

Dans tous les cas indiqués ci-dessus, se reporter à la section de dépannage à la page 59 du présent manuel.

Introduction

ProMariner vous remercie pour votre achat récent du tout nouveau ProSportHD Generation 4, doté de la nouvelle conception très agressive du dissipateur thermique tri-surface pour usage intensif. Cette nouvelle conception légère permet une charge nettement plus rapide grâce à un refroidissement optimal, tout en fournissant une intensité de charge à courant constant réel nominal en mode de chargement.

Les caractéristiques et fonctions essentielles comprennent :

Technologie entièrement numérique

Une technologie de chargement par impulsions contrôlée par microprocesseur et logiciel autorisant un fonctionnement à température moins élevée et des chargements plus rapides.

Technologie Distributed-On-Demand™

100 % de toute l'intensité de charge disponible est utilisée en distribuant l'intensité de charge inutilisée à une ou plusieurs combinaisons de batteries, selon les besoins.

Dissipateur thermique extrudé tri-surface pour usage intensif

La conception du dissipateur thermique avec ses faces orientées vers le haut, le bas et l'arrière permet un refroidissement optimal tout en fournissant une intensité de charge à courant constant réel nominal en mode de chargement.

Affichage à DEL agrandi avec indicateur d'état de charge

Indicateur d'état de charge à DEL de style jauge à carburant. Barre d'état des voyants DEL du mode multiphase à 4 couleurs. Mode de chargement multiphase, contrôle de la validité du système (System Check OK), indication de l'état individuel de batterie et du type de batterie.

Conception légère

Jusqu'à 40 % plus léger par rapport à un chargeur rempli d'époxy.

Mode d'entretien automatique/écoénergétique

Surveille et entretient automatiquement les batteries uniquement lorsque cela est nécessaire pour maintenir l'état de charge complet. Cela réduit considérablement la consommation de courant alternatif.

Chargement 5 phases entièrement automatique performant

5 phases : Analyse, charge, conditionne, entretient et reconditionne automatiquement les batteries une fois par mois pendant les périodes de stockage. Charge complètement et prolonge la durée de vie des batteries.

Sécurité et qualité intégrées

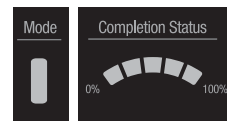
Double fusible étanche en ligne, polarité inverse, protection contre la surchauffe, la surintensité, la surtension et l'inflammation. Certifié à Marine UL 1236. Listé CEC et DOE. FCC Classe B.

Installation et utilisation faciles

Câbles d'alimentation secteur et de sortie c.c. de 1,8 m (6 pi) précâblés.

Batteries à électrolyte liquide, AGM et Gel

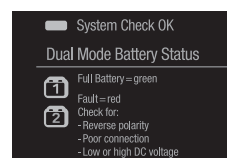
Garantie de 3 ans



Barre d'état des voyants DEL du mode multiphase 4 couleurs

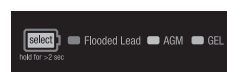
Indicateur de l'état de charge à DEL

Voyant rouge pour batterie faible et passage au vert lors du processus de charge.



System Check Ok (Validité du système) et État de batterie à mode double

Voyant rouge d'anomalie lors du mode d'analyse lorsque le câblage ou la batterie demande l'attention de l'utilisateur. Voyant vert lorsque chaque batterie est complètement chargée et surveillée hors ligne.



3 profils de chargement sélectionnables

Profils de chargement de performance pour les batteries à électrolyte liquide, AGM et GEL. Profil HP AGM sur ProSportHD20 Dual uniquement.

Instructions sécuritaires importantes

CONSERVER CES INSTRUCTIONS

Ce manuel contient des instructions importantes concernant la sécurité et le fonctionnement pour le chargeur de batterie nautique embarqué ProSportHD.

ATTENTION – Pour réduire le risque de blessures, ne charger que des batteries 12 volts au plomb à électrolyte liquide, AGM ou Gel. Les autres types de batteries risquent d'éclater et de provoquer des blessures.

LES CONNEXIONS EXTERNES AU CHARGEUR DOIVENT ÊTRE CONFORMES À LA RÉGLEMENTATION ÉLECTRIQUE DE LA GARDE CÔTIÈRE DES ÉTATS-UNIS (33CFR183, SUB PART 1).

Avant de brancher les batteries ou d'appliquer l'alimentation secteur, lire toutes les instructions ainsi que les inscriptions de mise en garde sur le chargeur de batterie, les câbles et les batteries.

AVERTISSEMENT

Pour réduire le risque de blessure pour l'utilisateur ou de dommage à la propriété, l'utilisateur doit lire et comprendre le manuel d'instructions et tous les avertissements apposés sur le chargeur et les batteries avant l'utilisation.

AVERTISSEMENT

1. ATTENTION - RISQUE DE MÉLANGE DE GAZ EXPLOSIFS.
 - a. IL EST DANGEREUX DE TRAVAILLER À PROXIMITÉ D'UNE BATTERIE AU PLOMB. LES BATTERIES PRODUISENT DES GAZ EXPLOSIFS EN SERVICE NORMAL. IL EST AUSSI IMPORTANT DE TOUJOURS RELIRE LES INSTRUCTIONS AVANT D'UTILISER LE CHARGEUR ET DE LES SUIVRE À LA LETTRE.
 - b. Pour réduire le risque d'explosion, lire ces instructions et celles qui figurent sur la batterie.
2. Utiliser le chargeur pour charger une batterie AU PLOMB uniquement. Ce chargeur n'est pas conçu pour alimenter un réseau électrique très basse tension ni pour charger des piles sèches. Le fait d'utiliser le chargeur pour charger des piles sèches pourrait entraîner l'éclatement des piles et causer des blessures ou des dommages à la propriété.
3. L'utilisation d'un accessoire non recommandé ou non vendu par ProMariner peut entraîner un risque d'incendie, de choc électrique ou de blessures.
4. Afin de réduire le risque d'endommager la fiche et le cordon d'alimentation, tirer sur la fiche plutôt que sur le cordon pour déconnecter le chargeur.

Instructions sécuritaires importantes

5. Cordons prolongateurs :
 - a. Vérifier que la fiche du cordon prolongateur comporte le même nombre de broches que la fiche du chargeur et que les broches sont de mêmes forme et taille.
 - b. Le cordon prolongateur est correctement câblé et en bon état électrique;
 - c. Seul un cordon prolongateur de classe industrielle / à usage industriel homologué UL ou CSA et mis à la terre est utilisé. Avant l'utilisation, s'assurer que le cordon prolongateur n'est pas endommagé, que les broches ne sont pas tordues et qu'il ne présente aucune coupure. En cas d'endommagement, remplacer le cordon prolongateur. Toujours connecter le cordon prolongateur à la fiche du chargeur en premier. **Après avoir connecté le cordon prolongateur au chargeur, brancher le cordon prolongateur dans une prise à proximité et protégée par un disjoncteur de fuite de terre.** Consulter les recommandations du fabricant ci-après quant à la dimension appropriée des cordons prolongateurs avec mise à la terre homologués UL ou CSA.
 - i. Jusqu'à 15 m de longueur, utiliser un cordon prolongateur à 3 fils de calibre 18 AWG.
 - ii. Entre 15 et 30 m de longueur, utiliser un cordon prolongateur à 3 fils de calibre 16 AWG.
 - iii. Entre 30 et 45 m de longueur, utiliser un cordon prolongateur à 3 fils de calibre 14 AWG.
6. Ne pas utiliser le chargeur en cas d'endommagement ou d'une défaillance de l'isolation protectrice des câbles c.a. et c.c., des porte-fusibles cc. ou des cosses rondes. Contacter ProMariner immédiatement pour renvoyer le chargeur pour l'entretien et la réparation.
7. Ne pas utiliser le chargeur s'il a subi un coup violent, un impact direct, si on l'a laissé tombé ou s'il est autrement endommagé. Contacter ProMariner immédiatement pour renvoyer le chargeur pour l'entretien et la réparation.
8. Ne pas démonter le chargeur. Un remontage incorrect peut entraîner un risque de choc électrique ou d'incendie. Si une réparation ou une vérification est nécessaire, communiquer avec le service à la clientèle ProMariner en composant le 800-824-0524 entre 8h30 et 17h du lundi au vendredi, ou www.promariner.com. Toute tentative de vérification, de réparation ou de modification non autorisée peut entraîner un risque de choc électrique, d'incendie ou d'explosion et annule la garantie.
9. Pour réduire le risque de choc électrique, débrancher le chargeur de la prise avant tout entretien ou nettoyage.
10. NE PAS exposer la connexion du cordon d'alimentation secteur à la pluie ni à la neige.

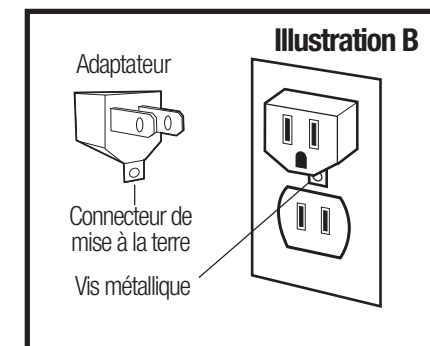
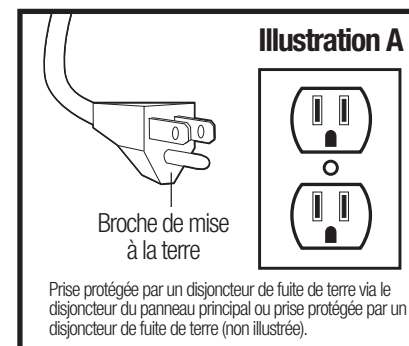
Instructions sécuritaires importantes

11. INSTRUCTIONS POUR LA MISE À LA TERRE ET LA CONNEXION DU CORDON D'ALIMENTATION C.A.
 - a. Le chargeur doit être mis à la terre afin de réduire les risques de choc électrique. Le cordon d'alimentation du chargeur est muni d'un conducteur de terre et d'une fiche avec mise à la terre. La fiche doit être branchée dans **une prise protégée par un disjoncteur de fuite de terre** qui est correctement installée et mise à la terre conformément à tous les codes et règlements locaux.

⚠ DANGER

Ne jamais modifier le cordon d'alimentation C.A. ou la fiche du chargeur. Si la fiche ne s'adapte pas à la prise, faire installer une prise d'alimentation C.A. avec mise à la terre par un électricien qualifié. Une mauvaise connexion peut entraîner des risques de choc électrique.
 - b. Ce chargeur fonctionne sur un circuit nominal de 120 V et est muni d'une broche de mise à la terre (voir illustration A). Si aucune prise avec mise à la terre n'est disponible, il est possible d'utiliser un adaptateur, à brancher dans la prise bipolaire (voir illustration B). **L'adaptateur temporaire devrait être utilisé uniquement jusqu'à ce qu'une prise mise à la terre adéquate soit protégée par un disjoncteur de fuite de terre puisse être installée par un technicien agréé.**

- ⚠ DANGER**
- Avant d'utiliser l'adaptateur tel qu'illustré, s'assurer que la vis centrale de la plaque murale est mise à la terre. Le connecteur vert de l'adaptateur doit être relié à une prise correctement mise à la terre. Au besoin, remplacer la vis du cache de la prise par une vis plus longue pour fixer l'oreille ou la languette de l'adaptateur au cache de la prise et pour établir la mise à la terre de la prise de terre protégée par un disjoncteur de fuite de terre.



L'utilisation d'un adaptateur est interdite au Canada. Si une prise de courant avec mise à la terre n'est pas disponible en faire installer une par un électricien qualifié avant d'utiliser cet appareil.

Instructions sécuritaires importantes

12. PRÉCAUTIONS PERSONNELLES

ATTENTION

- a. Prévoir la présence d'une personne dans l'environnement proche ou à portée de voix qui puisse venir en aide lors d'un travail à proximité d'une batterie au plomb.
- b. Veiller à disposer de suffisamment de savon, d'eau et de bicarbonate de soude à portée de main en cas de contact de l'acide de la batterie avec la peau, les vêtements ou les yeux.
- c. Prévoir une protection vestimentaire, oculaire et des mains adéquate. Éviter de se toucher les yeux lors du travail à proximité d'une batterie.
- d. Si l'acide de batterie entre en contact avec la peau ou les vêtements, laver immédiatement avec de l'eau et du savon. Si l'acide pénètre dans les yeux, rincer immédiatement et abondamment avec de l'eau froide pendant 15 minutes au moins et obtenir des soins médicaux immédiatement.
En cas d'ingestion d'électrolyte, boire de grandes quantités d'eau ou de lait. NE PAS faire vomir. Obtenir rapidement des soins médicaux.
- e. Ne JAMAIS fumer près de la batterie ou du moteur et éviter toute étincelle ou flamme nue à proximité de ces derniers.
- f. Faire preuve d'une grande prudence afin de réduire le risque de chute d'un outil métallique sur la batterie. Une chute d'outil peut provoquer une étincelle ou court-circuiter la batterie ou tout autre matériel électrique, ce qui peut entraîner une explosion ou un incendie.
- g. Enlever tout objet personnel en métal, notamment les bagues, bracelets, colliers, montres et bijoux lorsqu'on travaille à proximité d'une batterie. Une batterie peut provoquer un courant de court-circuit suffisamment élevé pour souder une bague ou tout autre objet métallique, avec pour conséquence des brûlures graves.
- h. Utiliser le chargeur pour charger une batterie au PLOMB-ACIDE uniquement. Le chargeur n'est pas conçu pour alimenter un système électrique basse tension autre que celui d'une application de démarrage de moteur. Ne pas utiliser le chargeur de batterie pour charger des batteries de piles sèches qui sont couramment utilisées dans les appareils électroménagers. Ces batteries risquent d'éclater et de provoquer des blessures et des dommages matériels.
- i. Ne JAMAIS charger une batterie gelée.
- j. Tenir toute personne, les enfants et les animaux de compagnie à l'écart des batteries et du chargeur pendant l'utilisation pour éviter des blessures graves, la mort, un incendie ou une explosion.

DANGER : RISQUE DE CHOC ÉLECTRIQUE

Ne pas toucher la partie de connecteur de sortie non isolée ou la borne de batterie non isolée si 3 ou davantage de batteries sont connectées en série.

Instructions sécuritaires importantes

13. PRÉPARATION AVANT DE CHARGER UNE BATTERIE

ATTENTION

- a. S'il est nécessaire d'enlever une batterie d'un bateau pour la charger, **toujours enlever de la batterie la borne de terre négative en premier**. Vérifier que tous les accessoires du bateau sont débranchés pour ne pas provoquer d'arc électrique.
- b. S'assurer que la zone autour du chargeur et de la batterie est bien ventilée pendant la charge de la batterie.
- c. Neutraliser avec du bicarbonate de soude tout électrolyte renversé sur un véhicule ou sur la zone de travail. Après avoir neutralisé, rincer et nettoyer la zone contaminée avec de l'eau.
- d. Nettoyer les bornes de la batterie. Faire preuve de prudence pour éviter tout contact d'un élément corrodé avec les yeux.
- e. Dans les batteries à électrolyte liquide dotées de capuchons amovibles, AJOUTER UNIQUEMENT DE L'EAU DISTILLÉE dans chaque cellule jusqu'à ce que l'électrolyte atteigne les niveaux spécifiés par le fabricant de la batterie. Ne pas trop remplir. Pour une batterie sans entretien qui n'est pas dotée de capuchons amovibles, notamment les batteries à soupape, respecter toutes les instructions du fabricant sur la recharge.
- f. Respecter toutes les mises en garde, tous les avertissements et toutes les instructions spécifiques du fabricant pendant la charge et les taux de charge recommandés. Ne jamais charger une batterie qui n'a pas de capuchons à événements de sécurité.
- g. Ne pas surcharger des batteries ni essayer de charger des batteries non 12 V au plomb à électrolyte liquide, AGM ou Gel.

Emplacement du chargeur et précautions de connexion C.C.

17. EMPLACEMENT DU CHARGEUR

⚠ ATTENTION

- a. Placer le chargeur aussi loin de la batterie que possible.
- b. Ne jamais placer le chargeur directement sous la batterie à charger ou au-dessus de cette dernière. Les gaz ou les fluides qui s'échappent de la batterie peuvent entraîner la corrosion du chargeur ou l'endommager.
- c. Ne pas faire fonctionner le chargeur dans un espace clos et/ou ne pas gêner la ventilation.
- d. Ne jamais laisser l'acide de la batterie couler sur le chargeur lors de la mesure de la densité de l'électrolyte ou du remplissage d'une batterie.
- e. Ne pas poser une batterie sur un chargeur.
- f. Ne pas installer au-dessus ou sur des surfaces combustibles.

18. PRÉCAUTIONS DE CONNEXION C.C.

⚠ ATTENTION

- a. Connecter et déconnecter les câbles de sorties c.c. seulement après avoir retiré le cordon d'alimentation de la prise électrique. Ne jamais laisser les câbles se toucher.

AVIS IMPORTANT : NOTIFICATION DE LA FCC CLASSE B PARTIE 15

Le chargeur de batterie nautique embarqué a été conçu et vérifié conformément aux exigences de la réglementation FCC classe B partie 15. Ces règlements assurent une protection adéquate contre le brouillage préjudiciable lors de l'utilisation commerciale. Si, en milieu résidentiel, un brouillage de la réception TV ou radio est constaté, il suffit de débrancher l'appareil ProMariner de son alimentation secteur pour vérifier si le chargeur de batterie provoque le brouillage. Pour diminuer le brouillage, l'utilisateur final peut explorer les méthodes suivantes :

- 1) Choisir un circuit d'alimentation secteur différent pour alimenter le chargeur de batterie nautique embarqué.
- 2) Vérifier que la prise de courant est correctement mise à la terre.
- 3) Repositionner l'antenne de réception.
- 4) Acheter un filtre de ligne secteur séparé.
- 5) Changer le chargeur de place de telle manière qu'il soit à l'endroit le plus éloigné des appareils domestiques de réception : TV, radio, etc.



Présentation générale

Le tout nouveau ProSportHD Generation 4 bénéficie d'une nouvelle conception très agressive du dissipateur thermique tri-surface pour usage intensif. Cette nouvelle conception légère permet une charge nettement plus rapide grâce à un refroidissement optimal, tout en fournissant une intensité de charge à courant constant réel nominal en mode chargement. Le microprocesseur et la commande logicielle améliorés du ProSportHD comportent un tableau de bord comprenant de nouvelles fonctionnalités numériques, notamment : un indicateur d'état de charge de style jauge à carburant, une barre de voyants pour le mode de chargement, des voyants individuels de batterie mode double batterie pleine / anomalie et 3 profils de chargement de performance sélectionnables numériquement pour batteries à électrolyte liquide, AGM et GEL. Profil HP AGM sur ProSportHD20 Dual uniquement.

L'indicateur d'état de charge de style jauge à carburant indique la progression du niveau de charge en cours de fonctionnement avec une seule LED rouge indiquant qu'une batterie ou plusieurs batteries déchargées sont en cours de charge. Lorsqu'ils sont rouges, les voyants de batteries dédiés mode double éliminent la perte de temps du dépannage en indiquant clairement les défauts de câblage individuels d'une batterie, ou si la tension d'une batterie est inférieure à 2,5 V c.c. et ne peut pas accepter une charge. Lorsqu'ils sont verts, la batterie est pleine et surveillée hors ligne.

La technologie Distributed-On-Demand™ de ProMariner détecte et répartit 100 % de l'intensité disponible de chargement à une batterie unique ou à une combinaison de tous les bancs de batteries. Toute l'intensité de chargement inutilisée est distribuée (Distributed-On-Demand™) aux batteries embarquées nécessitant une intensité de chargement supplémentaire.

La charge multiphase entièrement automatique améliore les performances de la batterie tout en prolongeant sa durée de vie avec 5 phases séquentielles : Analyse, charge, conditionnement, entretien automatique (écoénergétique) et une fois par mois le mode de reconditionnement d'entreposage qui est sûr pour un entreposage à court et à long terme. Les voyants de contrôle de la validité du système (System Check OK) et d'état de charge procurent un retour d'information en temps réel sur l'état de la batterie et son installation, éliminant ainsi les procédures de dépannage fastidieuses.

Mode écoénergétique : après avoir entièrement chargé et conditionné les batteries, le ProSportHD contrôle et effectue un entretien automatique des batteries seulement lorsqu'il est nécessaire de maintenir une charge pleine. Ce mode permet de réduire considérablement la consommation de courant c.a. et les coûts d'exploitation tout en optimisant la performance de la batterie.

Conçu pour une utilisation dans des environnements difficiles, le ProSportHD est 100 % étanche et jusqu'à 40 % plus léger que les chargeurs traditionnels remplis d'époxy. Le ProSportHD utilise des câbles gainés c.c. et des câbles d'alimentation c.a. de classe industrielle, qui comprennent de nouveaux serre-câbles et séparateurs de fils moulés. Il est répertorié et certifié conforme à la norme UL Marine 1236 SB, aux nouvelles exigences écoénergétiques de la CEC (commission de l'énergie de Californie) et du DOE (département de l'énergie) et il est conforme à la classe B de la FCC. Il est assorti d'une garantie de 3 ans avec fonctions de sécurité intégrées, notamment des fusibles étanches doubles, une protection contre la polarité inverse, la surchauffe, la surintensité, la surtension et l'inflammation.

Fonctionnement général

Installer le chargeur de batterie nautique embarqué ProSportHD en respectant les consignes d'installation du présent manuel. Ne pas modifier le ProSportHD pendant le processus d'installation. Du matériel ou une longueur de câble supplémentaire est disponible en cas de besoin.

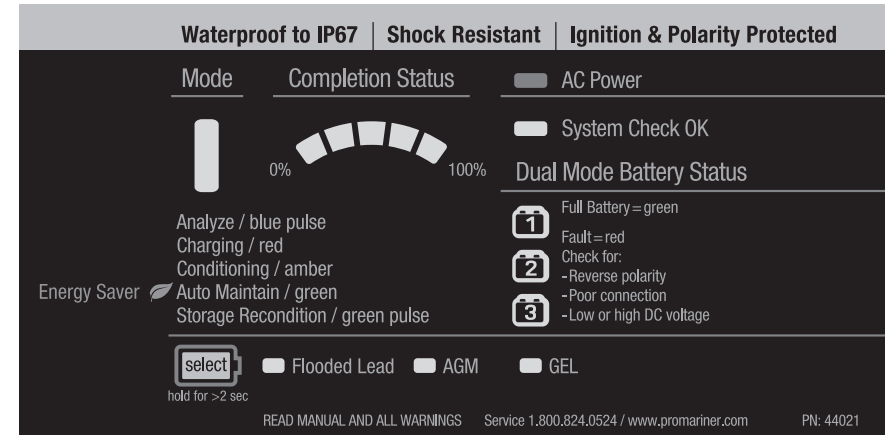
Le ProSportHD charge complètement et conditionne vos batteries tout en prolongeant leur durée de vie. En cas de non utilisation du bateau, toujours laisser le chargeur branché pour réduire l'accumulation de sulfate, ce qui permet aux batteries de rester complètement chargées et entretenues jusqu'à la prochaine sortie de pêche.

La conception du ProSportHD incorpore un mode de reconditionnement d'entreposage qui stimule et reconditionne les batteries embarquées pendant 3 heures une fois par mois et qui, une fois cette tâche accomplie, reprend son mode normal d'entretien automatique écoénergétique. Pendant ce mode, la barre de mode à DEL clignote en vert de manière graduelle, indiquant que le mode de reconditionnement d'entreposage est actif avec la DEL verte d'entretien automatique (Auto Maintain) toujours allumée, indiquant que les batteries restent complètement chargées pendant ce processus.



DEL de mode de chargement du ProSportHD

L'affichage de la barre de mode à DEL évolue à mesure que chaque mode est terminé.



Analyse (DEL de mode bleu clignotant) :

Après avoir installé le ProSportHD en respectant les instructions de ce manuel, suivi par la mise sous tension secteur du chargeur, la DEL bleue de mode du ProSportHD clignote indiquant que le chargeur est en processus d'analyse : les connexions, la polarité et que la batterie ou les batteries connectées ont une tension supérieure à 2,5 V c.c. et qu'elles sont en mesure d'accepter une charge.

Cela prend environ une minute.

Charging (Charge) (DEL de mode rouge) :

La DEL de mode est rouge fixe pendant la charge.

Conditioning (Conditionnement) (DEL de mode orange) :

La DEL de mode orange est allumée orange fixe pendant le mode de conditionnement.

Auto Maintain (Entretien automatique) - Mode écoénergétique (DEL de mode verte) :

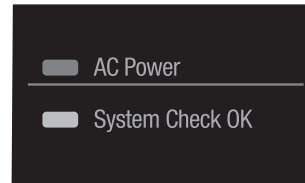
La DEL de mode s'illumine en vert fixe lorsque les batteries sont surveillées pour maintenir automatiquement la batterie ou les batteries à pleine charge pendant les périodes d'entreposage à court ou long terme.

Storage Recondition (Reconditionnement) (DEL de mode clignote en vert graduel) :

La DEL de mode verte clignote de manière graduelle lorsque le mode de reconditionnement est appliqué sur la ou les batteries une fois par mois.

Affichage DEL et moniteur de charge du ProSportHD

Le chargeur ProSportHD comprend 6 DEL pour l'état de fonctionnement, jusqu'à 3 DEL d'anomalie de banc de batteries en fonction du modèle et un moniteur de niveau de chargement de batterie.

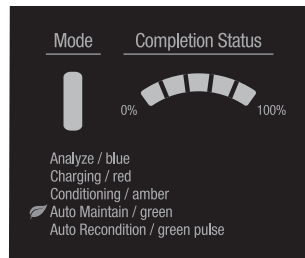


DEL bleue d'alimentation secteur (AC Power)

Le voyant d'alimentation s'allume lorsque le courant secteur est présent.

System Check OK (Validité du système) (DEL verte) :

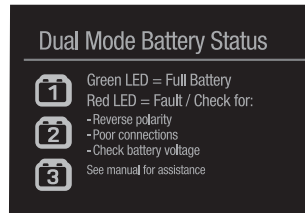
Si tous les tests sont positifs, l'indicateur « System Check OK » s'allume en vert, fournissant une confirmation positive que votre chargeur est correctement installé et que vos batteries sont susceptibles d'être chargées, suivi par le processus de charge.



Indicateur d'état de charge

L'indicateur de charge dispose de 4 DEL vertes et 1 DEL bicolore verte/rouge. Lorsque les batteries sont faibles, la première barre de DEL s'allume. Pendant le processus de charge, le premier voyant DEL d'état de charge passe au vert. Au fur et à mesure du processus de charge, les autres voyants d'état de charge s'allument jusqu'à ce que les 5 voyants soient allumés et que les batteries soient complètement chargées.

Cette fonctionnalité fournit un état de charge en un coup d'œil afin de voir le niveau de charge de la batterie la plus faible.



État de batterie à mode double

Selon le modèle, jusqu'à 3 DEL peuvent s'allumer en rouge, indiquant un problème de câblage ou de défaut sur l'une quelconque des batteries individuelles connectées au chargeur, y compris les batteries dont la tension est inférieure à 2,5 V c.c., qui devraient être testées par votre revendeur de batterie local avant d'essayer de les charger. Se reporter à la page 59 pour des informations plus détaillées.

Lorsque chaque banc de batterie termine son cycle de charge, le voyant d'état du mode double s'allume en vert pour vous informer que le banc correspondant a terminé son cycle de charge.

Remarque : Ceux-ci sont éteints pendant la charge et le conditionnement

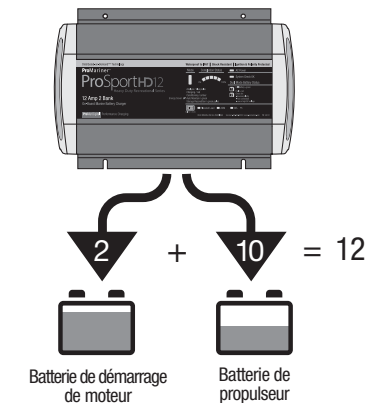
Distributed-on-Demand™ vs. comparé aux sorties de chargement classiques

La technologie Distributed-On-Demand™ du ProSportHD transfère automatiquement 100 % de l'intensité de chargement disponible de 8, 12, 15 ou 20 A (spécifique à chaque modèle) à une batterie unique ou à une combinaison de toutes les batteries. Cette fonction garantit que toute l'intensité de charge disponible est utilisée, contrairement à d'autres chargeurs embarqués comportant 2 ou 3 bancs de charge avec une limite fixe d'ampérage par banc de charge / câble de sortie c.c.. Voir ci-dessous l'avantage de la technologie Distributed-On-Demand™ par rapport aux meilleurs chargeurs avec une intensité fixe par banc de charge.

Chargement avec ProSportHD Distributed-On-Demand™

Technologie de chargement Distributed-On-Demand™ du ProSportHD

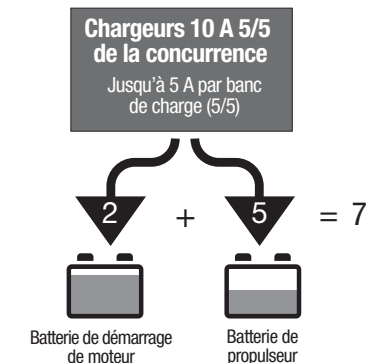
La technologie de chargement Distributed-On-Demand™ du ProSportHD garantit que 100 % de l'intensité de chargement disponible est entièrement utilisée pour satisfaire la demande de chaque batterie embarquée. Par exemple, si la batterie de démarrage du moteur a seulement besoin d'une intensité de 2 A de la part de votre chargeur 2 bancs ProSportHD 12 (6/6), les 4 A inutilisés sont automatiquement transférés (Distributed-On-Demand™) pour fournir alors un total de 10 A à la batterie du propulseur électrique, comparés aux seuls 5 A qu'un chargeur conventionnel 5/5 fournirait.



Chargement habituel des meilleurs concurrents

Technologie de chargement des meilleurs concurrents

Les chargeurs concurrents possèdent une limitation d'intensité par banc de charge. Comme indiqué, le chargeur de 10 A (5/5) ne peut pas transférer sa charge à une autre batterie, attribuant un maximum de 5 A seulement à la batterie du propulseur électrique.



Remarque : Les illustrations ci-dessus reflètent l'état de décharge courant des batteries après une journée de pêche. Les batteries du propulseur sont déchargées à 50 % et ne sont plus utilisables. La batterie de démarrage est chargée à 90 % par le système de charge du moteur.

Profil du chargement entièrement automatique

Le ProSportHD est conçu pour toutes les batteries 12 volts au plomb à électrolyte liquide, AGM ou Gel.

Une fois que vous avez terminé l'installation de votre nouveau Chargeur ProSportHD sans erreurs de câblage ou de connexion et que la tension de la ou des batteries connectées est > à 2,5 V c.c. et qu'elles peuvent accepter une charge, le ProSportHD effectue successivement le processus de charge numérique en 5 phases. Si les batteries sont pleines, le chargeur commencera à les entretenir immédiatement après la fin du mode analyse.

Aperçu du profil de chargement performant en 5 phases

Phase 1 - Analyse et validation (System Check OK) : Durant cette phase, la DEL de mode du ProSportHD clignote graduellement en bleu indiquant qu'il analyse tous les branchements de batteries et qu'il vérifie que chaque batterie est capable d'être chargée. Une fois terminée avec succès, le voyant System Check OK s'allume en vert. Cela prend environ 1 minute.

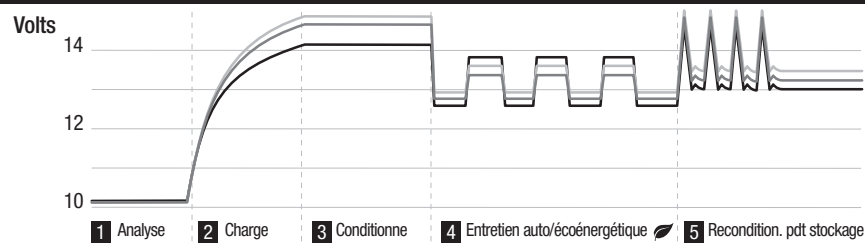
Phase 2 - Charge : Pendant cette phase, la DEL de mode du ProSportHD s'allume en rouge fixe et le ProSportHD utilise toute son intensité de charge (en fonction de la température) jusqu'à ce que la tension de la batterie atteigne la tension d'absorption sélectionnée pour les types de batterie (voir page 46).

Phase 3 - Conditionnement : Pendant cette phase, la DEL de mode du ProSportHD est orange fixe et le ProSportHD maintient toutes les batteries à la tension d'absorption sélectionnée pour compléter la charge tout en conditionnant chaque batterie connectée jusqu'à 3 heures selon les besoins.

Phase 4 - Entretien automatique (Mode écoénergétique) : Pendant cette phase, le voyant de mode du ProSportHD est vert fixe, indiquant qu'il surveille et entretient automatiquement les batteries lorsqu'il est nécessaire de maintenir un état de charge complet. Durant cette période, la DEL bleue d'alimentation, la DEL verte de validité du système (System OK) et la DEL de mode verte restent allumées pour informer que les batteries sont prêtes à répondre au besoin.

Phase 5 - Mode de reconditionnement d'entreposage : Pendant cette phase, le ProSportHD effectue son mode mensuel de reconditionnement d'entreposage. La DEL de mode verte clignote graduellement indiquant, lorsque vos batteries / bateau sont entreposés, que le ProSportHD reconditionne toutes les batteries jusqu'à trois heures par mois pour prolonger leur durée de vie et ainsi procurer la performance maximale de réserve de puissance une fois sur l'eau.

Profil de chargement



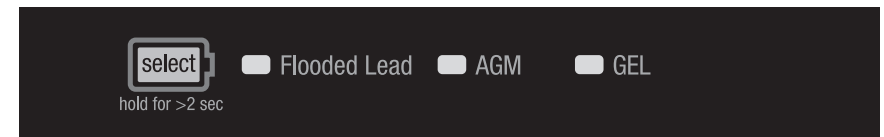
Compréhension des types de batterie et réglages du chargeur

Il existe trois types principaux de batteries actuellement sur le marché : normale au plomb (à électrolyte liquide), AGM (Absorbed Glass Mat)/ HP AGM (AGM haute performance) et Gel (électrolyte gélifié). Traditionnellement, les types de batteries les plus couramment utilisées sont les batteries au plomb à électrolyte liquide. Presque toutes les batteries Gel portent l'indication qu'elles sont de type Gel sur le boîtier ou sur les étiquettes. Le tableau ci-dessous montre les niveaux caractéristiques de tension de batterie en régime d'absorption et d'entretien.

DEL	Type de batterie	Profil de chargement
Bleue	Normale à électrolyte liquide	14,6 V c.c. Absorption 13,4 V c.c. Entretien
Verte	AGM (HP AGM*)	14,7 V c.c. Absorption 13,6 V c.c. Entretien
Jaune	GEL	14,1 V c.c. Absorption 13,8 V c.c. Entretien

*Uniquement sur ProSportHD20 et ProSportHD20 Global

REMARQUE : Les batteries AGM (Absorbed Glass Mat) ne sont pas des batteries Gel (à électrolyte gélifié). Les batteries Gel nécessitent un profil de chargement complètement différent qui doit être sélectionné par rapport au réglage d'usine fourni. Les batteries AGM peuvent accepter le même profil de chargement que les batteries normales (à électrolyte liquide).



Sélection d'un profil de chargement et compréhension des types de batterie

Le chargeur de batterie est équipé d'un sélecteur de type de batterie programmable par l'utilisateur qui est réglé d'origine pour les batteries normales au plomb (à électrolyte liquide).

Pour sélectionner un autre profil de batterie, procéder comme suit :

1. Activer le chargeur.
2. Appuyer sur le bouton de sélection et le maintenir enfoncé pendant plus de 2 secondes pour saisir le type de batterie sélectionné.
Remarque : Le type de batterie ne peut être saisi qu'en mode d'analyse (DEL d'état clignotant graduellement en bleu)
3. Appuyer sur le bouton de sélection puis le relâcher pour parcourir les types de batterie.
4. Appuyer sur le bouton de sélection et le maintenir enfoncé pendant plus de 2 secondes pour sélectionner le type de batterie.

Installation

Tous les chargeurs de batterie ProSportHD sont conçus pour être installés de façon permanente à bord, et peuvent être montés verticalement ou horizontalement.

Toujours installer le chargeur dans un compartiment pouvant être correctement ventilé pendant l'utilisation. NE PAS mélanger les types de batteries embarquées. Toutes les batteries doivent avoir le même âge, avoir la même composition chimique et être en bon état de fonctionnement.

NE PAS effectuer de branchements électriques au chargeur de batterie ou aux batteries avant d'avoir exécuté les étapes suivantes :

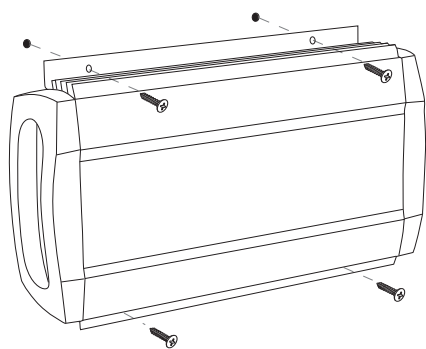
11 Étapes d'installation faciles à suivre :

1. Choisir un emplacement d'installation qui permette une ventilation à l'air libre avec un minimum de 15 cm (6 po) d'espace dégagé autour et devant le chargeur de batterie ProSportHD. Ouvrir tous les compartiments batterie et moteur et ventiler pendant 15 minutes au moins avant de commencer l'installation du chargeur ProSportHD. Vérifier que tous les câbles de batterie peuvent atteindre chacune des batteries.

Remarque : Pour les installations nécessitant des prolongateurs de câbles c.c. du chargeur de batterie, veuillez appeler votre détaillant ou concessionnaire ou lui rendre visite pour acheter des prolongateurs de câble c.c. de chargeur de batterie de 1,5 m (5 pi) ou de 4,5 m (15 pi) ProMariner. Nos prolongateurs de câble novateurs sont munis de fusibles adaptés et ne nécessitent pas de couper ni de dénuder de fils. Si vous rencontrez un problème pour vous procurer cet accessoire, appelez ProMariner au 1 800-824-0524.

2. Ne pas installer le chargeur dans des endroits revêtus de moquette, tapissés, en vinyle ou vernis. S'assurer que l'endroit où est placé le ProSportHD est accessible et que les voyants sont visibles. Installer cet appareil sur une surface dure.

3. Utiliser le chargeur ProSportHD comme gabarit, ou le gabarit en papier inclus pour marquer la position de chaque trou de montage. Garantir que les vis de montage ne percent pas ou ne dépassent pas la paroi d'un réservoir opérationnel, d'un réservoir de carburant ou d'huile ou le fond du bateau.
4. À l'aide d'un foret de 1/8 po (3,15 mm), percer les avant-trous aux (4) endroits marqués décrits à l'étape 3. Appliquer du joint en silicone dans chaque emplacement de montage pour rendre étanches les trous de vis.
5. Placer le chargeur sur les trous de montage et le fixer à l'aide d'un tournevis électrique et 4 vis de qualité nautique ou des vis en acier inoxydable numéro 10. (Vis de montage incluses)



Avant-trous de 1/8 po (3,15 mm) avec joint en silicone

AVIS IMPORTANT :

- Maintenir une zone dégagée de 15 cm (6 po) sans obstruction autour du produit.
- Avant de procéder au montage, vérifier que la surface de montage dispose d'une résistance et d'une épaisseur adéquates.
- Vérifier l'absence de conduites électriques ou de carburant sur ou derrière la surface.
- Consulter le fabricant du bateau pour connaître l'emplacement ou la procédure de montage suggérés.

Installation

6. En avance, préparer chaque batterie en nettoyant chaque borne avec une brosse métallique jusqu'à obtenir une surface brillante.
7. Faire passer les câbles à l'écart d'objets acérés et les maintenir en place séparément à l'aide d'attaches de câble. Enrouler le câble excédentaire, ne pas couper ni raccourcir la longueur des câbles car ils sont munis de fusibles intégrés situés à 10 cm (4 po) de l'extrémité de chaque câble. Ces fusibles protègent le chargeur et les câbles de sortie dans l'éventualité d'un court-circuit. Il est recommandé d'utiliser des attaches de câble ou des serre-câbles pour amenuiser les efforts de tension sur les câbles et réduire le risque de dommages aux câbles ou aux branchements.
8. Brancher les câbles de sortie c.c. comme illustré sur les pages 50-56. Vérifier que le fil noir est branché comme illustré sur le côté négatif de la batterie et que le fil rouge est branché sur le côté positif de la batterie.

Remarque importante : Le chargeur ProSportHD ne fonctionnera pas correctement s'il n'est pas branché correctement aux batteries. Rappel : Chaque câble de banc gainé c.c. doit être connecté à une batterie 12 V. Si on dispose de plus de sorties de chargeur qu'il n'y a de batteries, les jeux de câbles excédentaires peuvent être doublés sur la plus grosse batterie du système. Exemple : Un ProSportHD 3 bancs doit être connecté à trois batteries 12 V, mais ne peut être connecté qu'à deux, à condition que tous les câbles du chargeur soient connectés et que 2 sorties de banc soient connectées à la batterie offrant la plus grande capacité. Sélectionner l'illustration de câblage applicable aux pages 50-56.

9. Vérifier que tous les branchements c.c. sont corrects, serrés et exempts de corrosion.
10. Placer le cordon d'alimentation secteur à l'air libre sur le bateau, à au moins 21 po (54 cm) du chargeur, des batteries et des tuyaux de remplissage du carburant.
11. En premier lieu, brancher un cordon prolongateur à usage industriel homologué UL au chargeur de batterie. **Après avoir branché le cordon prolongateur au chargeur, brancher le cordon prolongateur dans une prise à proximité et protégée par un disjoncteur de fuite de terre.** Toujours retirer le cordon prolongateur de la prise en premier quand le chargement est terminé, et seulement après débrancher le chargeur. Le branchement est maintenant terminé et les batteries sont en cours de chargement. Observer les voyants DEL.

Câblage correct du chargeur ProSportHD

Il suffit de choisir l'illustration qui comporte le même nombre de câbles de sortie de banc que le chargeur de batterie ProSportHD dont on dispose et de câbler exactement comme illustré (choisir l'illustration qui correspond à l'application) pour une utilisation correcte du chargeur.

Un câblage incorrect peut entraîner une inversion de polarité, en plaçant le fil « rouge » + sur une borne négative de la batterie et le fil « noir » - sur la borne positive. Dans ce cas, le chargeur ProSportHD a été conçu pour ne pas se mettre en panne. Cependant, le chargeur se « déconnectera de manière interne » et ne fournira « aucune sortie » jusqu'à ce que la polarité inverse soit corrigée. Dans le cas d'une batterie ou de batteries incorrectement branchées, le chargeur allume la DEL rouge d'anomalie de batterie pour la batterie qui demande une attention.

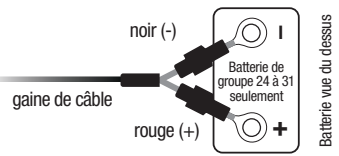
Installation

Lors du branchement de chaque câble gainé du chargeur de batterie, vérifier qu'il est branché seulement à **une batterie 12 V c.c.** et observer la polarité ainsi que les couleurs de tous les branchements.

Fil rouge = branchement de batterie + (positif)
 Fil noir = branchement de batterie - (négatif)
 Le fil noir ne doit jamais être branché à une borne munie de fils rouges. Uniquement de fils noirs.

Important : La paire de fils rouge et noir à l'intérieur d'une même gaine de câble DOIT ALLER À LA MÊME BATTERIE 12 V c.c..

Chaque câble du chargeur doit être branché à 1 batterie, tel qu'illustré. Observer le noir au (-) et le rouge au (+). Effectuer cela pour chaque batterie.



Lors du branchement sur une batterie de démarrage de moteur, brancher uniquement le câble de banc de batterie MARQUÉ : « FOR ENGINE BATTERY USE THIS BANK CABLE ONLY » (pour une batterie de moteur utiliser uniquement ce câble de banc).

Conseil d'application :

Dans le cas d'une application utilisant des batteries de grande capacité 4D ou 8D, se reporter au site Web de ProMariner à www.promariner.com et consulter notre assortiment de chargeurs câblés ProNauticP pour le choix d'un modèle approprié à ce groupe dimensionnel de batterie.

Si on dispose de plus de sorties de chargeur qu'il n'y a de batteries, le jeu de câbles peut être doublé sur la plus grosse batterie du système. En général, ceux-ci sont connectés à la batterie du propulseur électrique qui est davantage déchargée. Veuillez contacter ProMariner, au cas où vous souhaitez obtenir une assistance.

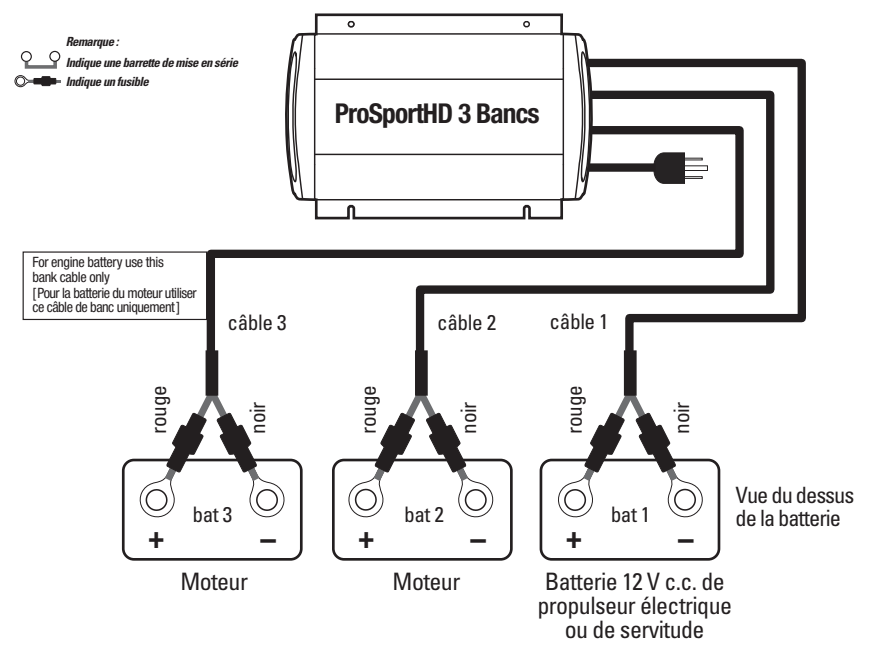
Remarque : Les chargeurs de batteries nautiques embarqués étanches ProSportHD sont conçus pour toute combinaison de batteries des groupes 24, 27, 29, 30 et 31. Chaque câble de sortie c.c. du chargeur doit être branché sur une (1) batterie 12 V c.c. (même si les batteries sont configurées pour des propulseurs électriques ou des applications de systèmes 24 V c.c. ou 36 V c.c.). Plus spécifiquement, il n'est pas nécessaire de retirer les câbles de mise en série ou en parallèle pour l'utilisation du chargeur ProSportHD. Se reporter aux schémas de câblage pour ces systèmes dans la section d'installation du présent manuel.

Remarque : Le ProSportHD doit être branché aux batteries pour pouvoir fonctionner. Il ne fonctionne pas comme alimentation 12 V.

Câblage typique

Fig. 1 Chargeur trois bancs ProSportHD pour 3 batteries 12 V

Configuration typique conçue pour banc 12 V c.c. de propulseur électrique / de servitude et 2 batteries de démarrage de moteur



Installation

Lors du branchement de chaque câble gainé du chargeur de batterie, vérifier qu'il est branché seulement à **une batterie 12 V c.c.** et observer la polarité ainsi que les couleurs de tous les branchements.

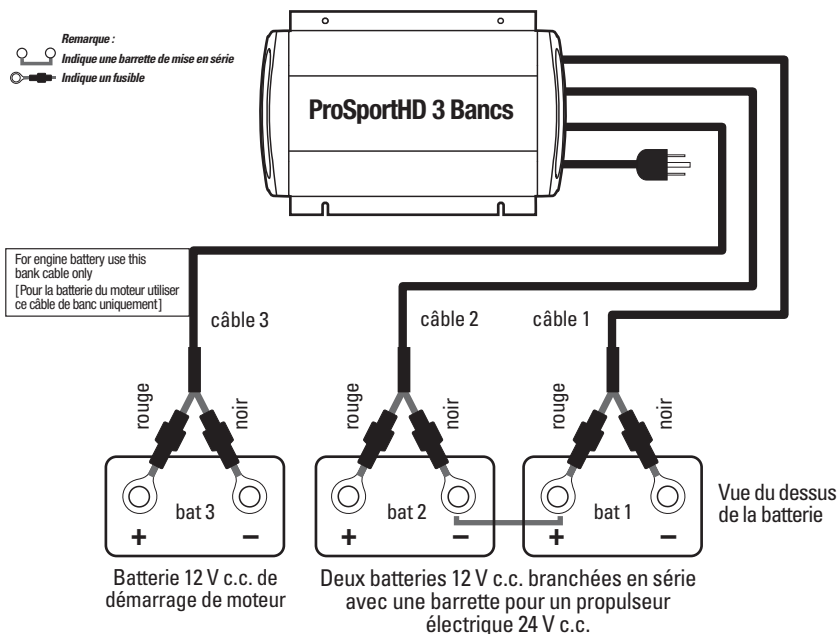
Fil rouge = branchement de batterie + (positif)
 Fil noir = branchement de batterie - (négatif)
 Le fil noir ne doit jamais être branché à une borne munie de fils rouges. Uniquement de fils noirs.

Important : La paire de fils rouge et noir à l'intérieur d'une même gaine de câble DOIT ALLER À LA MÊME BATTERIE 12 V c.c..

Câblage typique

Fig. 2 Chargeur trois bancs ProSportHD pour 3 batteries 12 V

Configuration avec (2) batteries 12 V c.c. branchées avec une barrette de mise en série, conçue pour une batterie de propulseur électrique 24 V c.c. plus une batterie 12 V c.c. de démarrage de moteur



Installation

Lors du branchement de chaque câble gainé du chargeur de batterie, vérifier qu'il est branché seulement à **une batterie 12 V c.c.** et observer la polarité ainsi que les couleurs de tous les branchements.

Fil rouge = branchement de batterie + (positif)

Fil noir = branchement de batterie - (négatif)

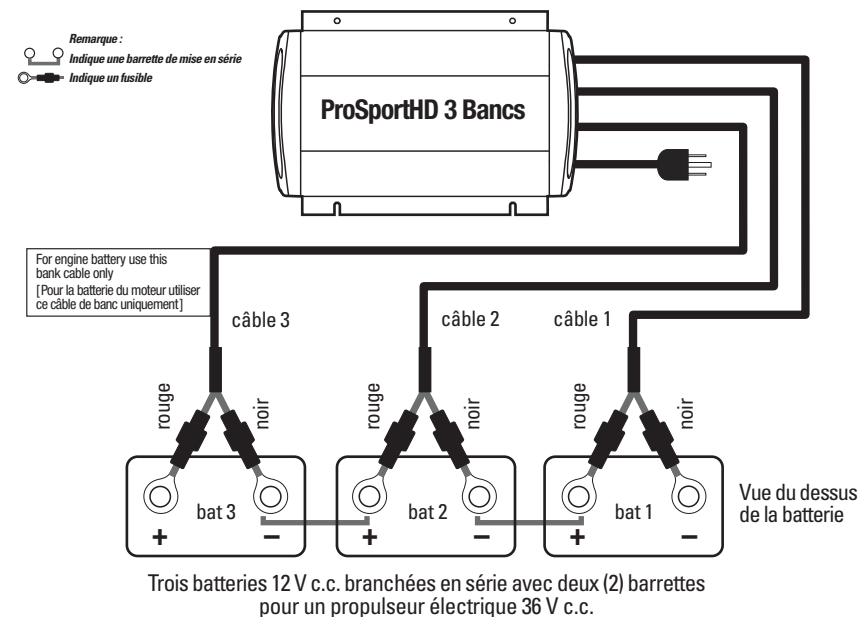
Le fil noir ne doit jamais être branché à une borne munie de fils rouges. Uniquement de fils noirs.

Important : La paire de fils rouge et noir à l'intérieur d'une même gaine de câble DOIT ALLER À LA MÊME BATTERIE 12 V c.c..

Câblage typique

Fig. 3 Chargeur trois bancs ProSportHD pour 3 batteries 12 V

Configuration avec (3) batteries 12 V c.c. branchées avec (2) barrettes de mise en série, conçue pour une batterie de propulseur électrique 36 V c.c.



Installation

Lors du branchement de chaque câble gainé du chargeur de batterie, vérifier qu'il est branché seulement à **une batterie 12 V c.c.** et observer la polarité ainsi que les couleurs de tous les branchements.

Fil rouge = branchement de batterie + (positif)

Fil noir = branchement de batterie - (négatif)

Le fil noir ne doit jamais être branché à une borne munie de fils rouges. Uniquement de fils noirs.

Important : La paire de fils rouge et noir à l'intérieur d'une même gaine de câble DOIT ALLER À LA MÊME BATTERIE 12 V c.c..

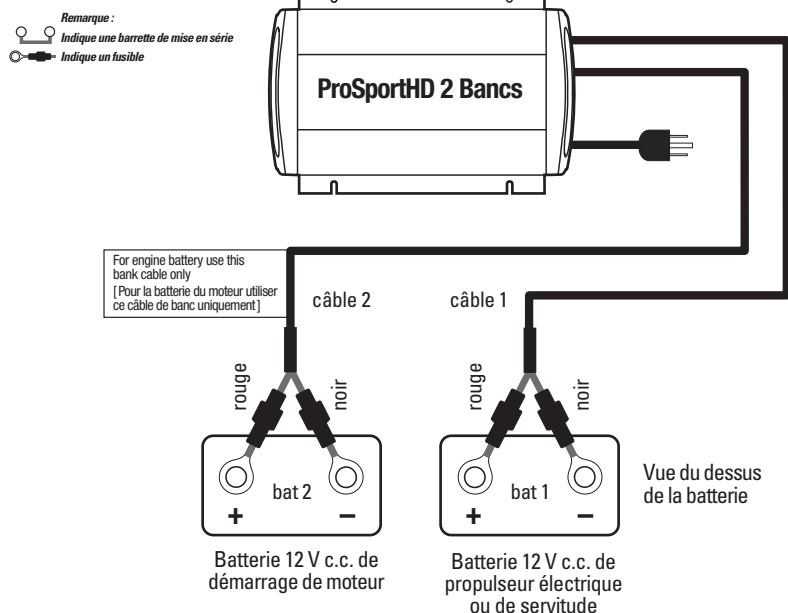
⚠ DANGER : RISQUE DE CHOC ÉLECTRIQUE.

Ne pas toucher la partie de connecteur de sortie non isolée ou la borne de batterie non isolée si 3 ou davantage de batteries sont connectées en série.

Câblage typique

Fig. 4 Chargeur 2 bancs ProSportHD pour 2 batteries 12 V

Configuration avec (2) batteries 12 V c.c. conçue pour une batterie de démarrage de moteur 12 V c.c. et une batterie de moteur de propulseur électrique ou une batterie de servitude.



Installation

Lors du branchement de chaque câble gainé du chargeur de batterie, vérifier qu'il est branché seulement à **une batterie 12 V c.c.** et observer la polarité ainsi que les couleurs de tous les branchements.

Fil rouge = branchement de batterie + (positif)

Fil noir = branchement de batterie - (négatif)

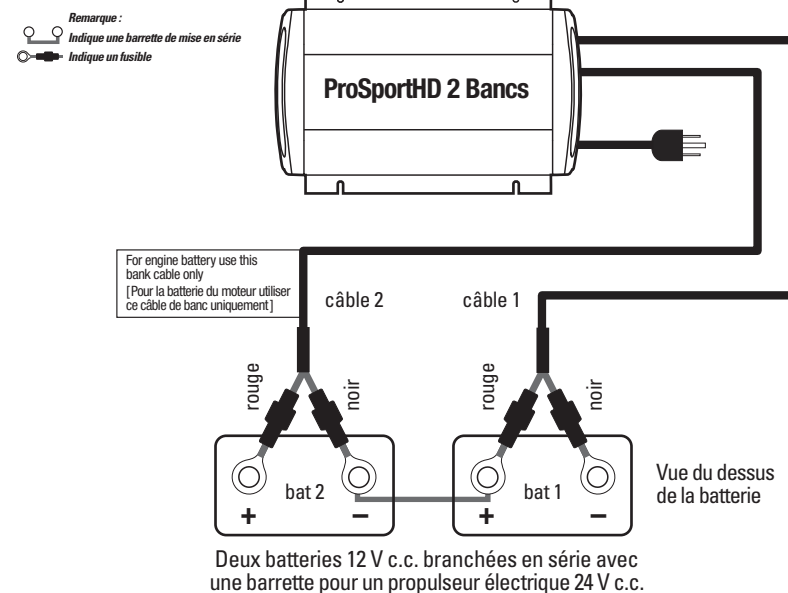
Le fil noir ne doit jamais être branché à une borne munie de fils rouges.
 Uniquement de fils noirs.

Important : La paire de fils rouge et noir à l'intérieur d'une même gaine de câble DOIT ALLER À LA MÊME BATTERIE 12 V c.c..

Câblage typique

Fig. 5 Chargeur 2 bancs ProSportHD pour 2 batteries 12 V

Configuration avec (2) batteries 12 V c.c. branchées avec une barrette de mise en série, conçue pour un propulseur électrique 24 V c.c.



Installation

Lors du branchement de chaque câble gainé du chargeur de batterie, vérifier qu'il est branché seulement à **une batterie 12 V c.c.** et observer la polarité ainsi que les couleurs de tous les branchements.

Fil rouge = branchement de batterie + (positif)

Fil noir = branchement de batterie - (négatif)

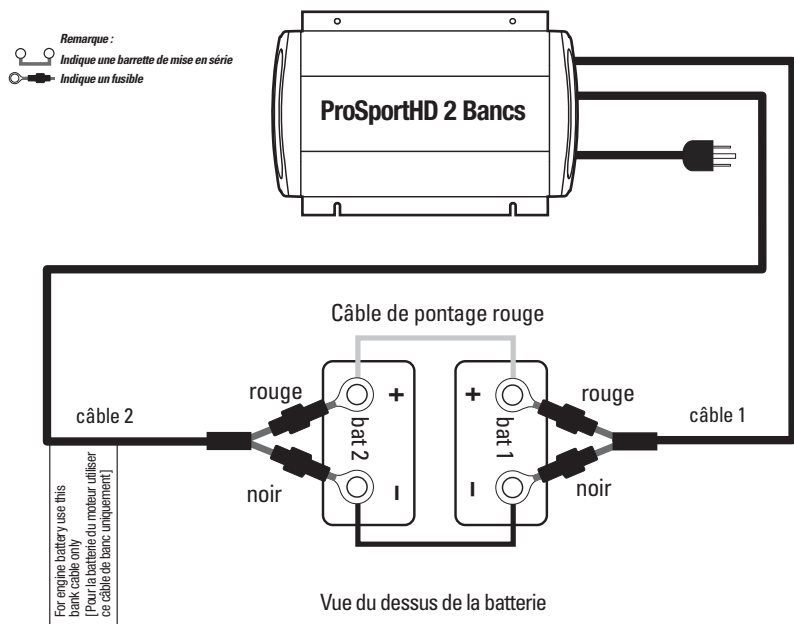
Le fil noir ne doit jamais être branché à une borne munie de fils rouges.
 Uniquement de fils noirs.

Important : La paire de fils rouge et noir à l'intérieur d'une même gaine de câble DOIT ALLER À LA MÊME BATTERIE 12 V c.c..

Câblage typique

Fig. 6 Chargeur 2 bancs ProSportHD pour 2 batteries 12 V en parallèle

Configuration conçue pour batteries 12 V c.c. de moteur de propulseur électrique ou de servitude en parallèle



Installation

Lors du branchement de chaque câble gainé du chargeur de batterie, vérifier qu'il est branché seulement à **une batterie 12 V c.c.** et observer la polarité ainsi que les couleurs de tous les branchements.

Fil rouge = branchement de batterie + (positif)

Fil noir = branchement de batterie - (négatif)

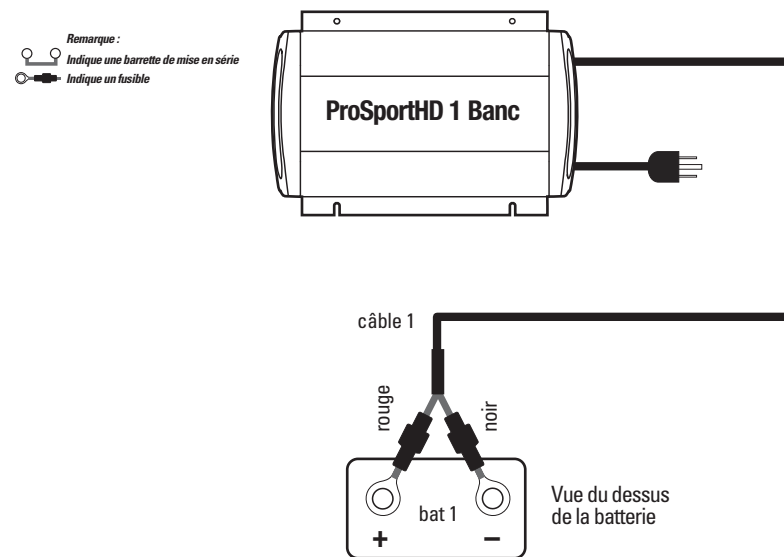
Le fil noir ne doit jamais être branché à une borne munie de fils rouges.
 Uniquement de fils noirs.

Important : La paire de fils rouge et noir à l'intérieur d'une même gaine de câble DOIT ALLER À LA MÊME BATTERIE 12 V c.c..

Câblage typique

Fig. 7 Chargeur un banc ProSportHD pour 1 batterie de 12 V

Configuration conçue pour une batterie 12 V c.c. de propulseur électrique, de servitude ou de moteur



Installation

Lors du branchement de chaque câble gainé du chargeur de batterie, vérifier qu'il est branché seulement à **une batterie 12 V c.c.** et observer la polarité ainsi que les couleurs de tous les branchements.

Fil rouge = branchement de batterie + (positif)

Fil noir = branchement de batterie - (négatif)

Le fil noir ne doit jamais être branché à une borne munie de fils rouges.
 Uniquement de fils noirs.

Important : La paire de fils rouge et noir à l'intérieur d'une même gaine de câble DOIT ALLER À LA MÊME BATTERIE 12 V c.c..

Chargement des batteries

Les chargeurs de la ProSportHD sont conçus pour charger, conditionner et entretenir automatiquement vos batteries pendant les périodes courtes ou longues d'entreposage ou de non utilisation. Veuillez suivre ces étapes chaque fois que vous utilisez votre chargeur ProSportHD.

1. Lire le manuel et tous les avertissements.
2. Relire en page 38 « Préparation avant de charger une batterie ».
3. Vérifier que le chargeur est installé conformément aux instructions d'installation.
4. En premier lieu, brancher un cordon prolongateur à usage industriel homologué UL au chargeur ProSportHD. Après avoir branché le cordon prolongateur au chargeur, brancher le cordon prolongateur dans une prise à proximité et protégée par un disjoncteur de fuite de terre. Dès que l'alimentation secteur est appliquée au ProSportHD, la DEL bleue s'allume.
5. La DEL de mode clignote graduellement en bleu indiquant que le chargeur est en mode d'analyse. Pendant que le chargeur analyse les batteries, vérifier que le bon profil de batterie a été sélectionné. **Ce mode prend environ 1 minute. Le ProSportHD effectue une autovérification, vérifie toutes les connexions de câblage et s'assure que la tension des batteries est supérieure à 2,5 V c.c. et qu'elles sont capables d'être chargées.**

En supposant qu'aucune anomalie de batterie n'a été détectée, la DEL verte de validité du système (System Check OK) s'allume et les séquences suivantes de fonctionnement du chargeur s'enchaînent :

Remarque : En cas de mauvaise connexion, d'inversion de polarité, ou si la tension d'une batterie est inférieure à 2,5 V c.c., ce qui n'autorise pas la charge, une DEL rouge d'état d'anomalie de batterie s'allume pour la batterie qui a besoin d'attention. Se reporter à la page 59 pour des informations de dépannage plus détaillées.

6. La DEL de mode passe au rouge indiquant que le chargeur a commencé son processus de charge multiphase comme indiqué dans la section Description du chargement multiphase de ce manuel.

⚠ ATTENTION : SURFACE CHAUDE. Éviter le contact pendant la charge car l'unité sera chaude au toucher. Toutefois, elle fonctionnera correctement et en toute sécurité.

7. La DEL de mode passe à l'orange et le ProSportHD maintient toutes les batteries à la tension d'absorption sélectionnée pour compléter la charge tout en conditionnant chaque batterie jusqu'à 3 heures selon les besoins.
8. Une fois le processus de charge terminé (ou si les batteries sont complètement chargées lorsqu'une alimentation secteur est appliquée), la DEL de mode passe au vert et indique que vos batteries sont complètement chargées et que le chargeur est en mode d'entretien automatique.

Guide d'entretien périodique du propriétaire

Article :	Branchements de batterie
Processus :	Nettoyer et serrer tous les branchements de batterie. Suivre les instructions du fabricant pour nettoyer une batterie. En cas de besoin, nettoyer toutes les bornes de batterie avec une brosse métallique et serrer tous les branchements.
Fréquence :	Mensuelle
Article :	Électrolyte de batterie
Processus :	Pour les batteries à électrolyte liquide, selon les instructions du fabricant, contrôler et maintenir les niveaux corrects d'eau distillée dans chaque batterie.
Fréquence :	Mensuel / Avant et après chaque sortie ou utilisation intensive des batteries.
Article :	Câblage de sortie c.c.
Processus :	Inspecter visuellement tous les câbles pour repérer coupures et abrasions. Communiquer avec ProMariner si le ProSportHD a besoin d'un nouveau câblage.
Fréquence :	Mensuelle
Article :	Cordon d'alimentation secteur
Processus :	Inspecter visuellement le cordon d'alimentation secteur. Confirmer que la broche de terre est présente et que toutes les broches de la fiche sont en bon état et non tordues.
Fréquence :	Mensuelle
Article :	Inspection des pièces de montage
Processus :	Vérifier toutes les pièces de montage pour garantir leur serrage. Serrer au besoin.
Fréquence :	Mensuelle

Dépannage

Aucune DEL ne s'allume lorsqu'il est branché.

1. Vérifier la présence de courant secteur.
 - a. Vérifier la qualité de l'alimentation en utilisant une lampe ou un appareil similaire pour vérifier si :
 - i. Le disjoncteur de fuite de terre ne s'est pas déclenché.
 - ii. La rallonge est de bonne qualité avec de bonnes connexions.
2. Si la qualité de l'alimentation secteur est vérifiée avec une lampe ou un appareil similaire et que les DEL ne s'allument pas, contacter ProMariner.

La DEL rouge d'anomalie est allumée.

1. Identifier le banc de batteries responsable de l'allumage de la DEL.
2. Vérifier les éléments suivants pour le banc correspondant :
 - a. Connexions propres et serrées.
 - b. Fusibles grillés.
 - i. Inspecter visuellement les fusibles ou les tester avec un multimètre.
 - c. Polarité inverse.
 - i. Vérifier que le câble rouge est connecté à la borne positive et que le câble noir est connecté à la borne négative.
 - d. Les câbles sont connectés à plus d'une batterie de 12 V.
 - i. Vérifier que les câbles sont connectés à une seule batterie 12 V.
 - e. Tension de batterie faible
 - i. Vérifier que la tension de la batterie est supérieure à 2,5 V c.c.
3. Si aucune des situations ci-dessus n'est trouvée et que la DEL d'erreur rouge est toujours allumée, contacter ProMariner.

La barre du mode de charge est verte et la DEL d'anomalie rouge est ALLUMÉE

La batterie n'a pas fini de se charger pendant un cycle de charge normal.

1. Désactiver le chargeur
2. Laisser les batteries reposer pendant 1 heure
3. Activer le chargeur.
4. Si le problème se reproduit, faire tester la batterie.
5. Si la batterie est bonne, le chargeur est peut-être trop petit pour la batterie, contacter ProMariner.

Contactez ProMariner au 1-800-824-0524 de 8h30 à 17h, heure de l'Est, par courrier électronique à support@promariner.com, ou visitez le site Web à l'adresse www.promariner.com

Garantie de chargeur de batterie ProSportHD

Nous sommes résolus à obtenir la satisfaction de la clientèle et votre fidélité nous est précieuse. Si, à un moment quelconque de la période de garantie, vous rencontrez des problèmes avec votre nouveau chargeur nautique embarqué ProSportHD, il suffit de nous appeler au 1 800 824-0524 entre 8h30 et 17h du lundi au vendredi, ou par courriel à l'adresse info@promariner.com pour obtenir un support technique.

LA CARTE DE GARANTIE PEUT ÊTRE ENREGISTRÉE SUR LE SITE WWW.PROMARINER.COM ou la carte de garantie incluse dans le présent manuel peut être remplie et retournée à ProMariner par courrier.

CHARGEUR DE BATTERIE NAUTIQUE EMBARQUÉ PROMARINER PROSPORT HD GARANTIE LIMITÉE D'USINE DE TROIS ANS

Chaque modèle ProSportHD est garanti à l'acheteur d'origine pour une utilisation normale pendant 3 ans à partir de la date d'achat contre les défauts de matériaux et de fabrication. ProMariner réparera ou remplacera gratuitement à sa seule discrétion tout défaut de matériaux ou de fabrication.

Les conditions suivantes s'appliquent :

- La période de garantie est calculée depuis la date de fabrication si l'appareil n'est pas enregistré dans les deux semaines suivant la vente.
- La garantie est annulée en cas de tentatives de réparation non autorisées.
- Les dommages dus à l'action de l'eau à grande profondeur ne sont pas couverts par la garantie.
- Les frais de retour de l'appareil au centre de service de l'usine ProMariner énumérés ci-dessous incombent au client.
- Les réparations cosmétiques peuvent être effectuées à la demande et aux frais du propriétaire.

L'achat, ou autre acceptation du produit, sont soumis à la condition et à l'entente que ProMariner NE PEUT ÊTRE TENU POUR RESPONSABLE DE DOMMAGES CONSÉCUTIFS OU ACCESSOIRES D'AUCUNE SORTE. (Certaines provinces interdisent l'exclusion ou la limitation des dommages accessoires ou consécutifs, de sorte que les exclusions ou les limitations susmentionnées peuvent ne pas s'appliquer à votre cas.) Cette garantie remplace toute autre obligation ou responsabilité de la part de ProMariner. ProMariner n'assume ni n'autorise quiconque à endosser une quelconque obligation ou responsabilité en connexion avec la vente de ce produit.

Pour enregistrer en ligne une réclamation sous garantie, se rendre sur le site www.promariner.com, cliquer sur l'onglet « Ressources » et suivre les instructions en veillant à identifier le produit et le problème. En cas d'impossibilité d'utiliser notre formulaire d'enregistrement en ligne de la garantie, ne pas hésiter à appeler le centre de service de l'usine ProMariner au numéro sans frais indiqué ci-dessous. ProMariner mettra tout en œuvre pour réparer ou remplacer le produit s'il est avéré défectueux selon les termes de la garantie, cela dans les 30 jours qui suivent le retour du produit à l'entreprise. ProMariner renverra le produit réparé ou remplacé à l'acheteur. Cette garantie vous confère des droits légaux particuliers et vous pourriez aussi avoir d'autres droits légaux qui pourraient varier selon l'état ou la province où vous habitez. Cette garantie remplace toute autre garantie explicite ou implicite.

ProMariner
Factory Service Center & Technical Support
15 Dartmouth Drive, STE 101
Auburn, NH 03032, États-Unis

SANS FRAIS AUX ÉTATS-UNIS : 1-800-824-0524
Tél. : 1-603-433-4440 / Télécopieur : 1-603-433-4442 / support@promariner.com
Visitez ProMariner en ligne sur le site www.promariner.com