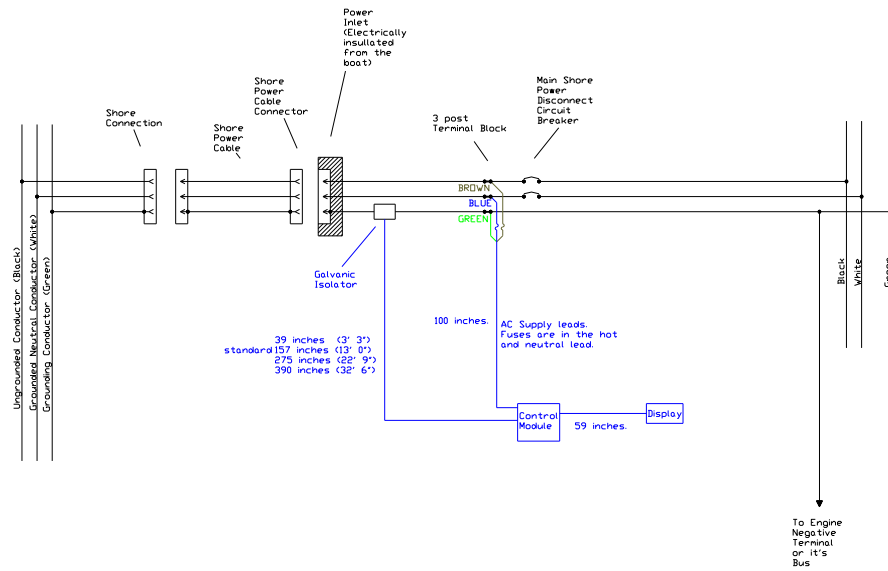


Typical hook-up for 110 volt shore inlet



(Based on ABYC E-8, Diagram 3)

Professional Mariner, LLC
200 International Drive
Suite 195
Portsmouth, NH 03801

ProSafe1 110 volt hook-up
July 28, 2003 Sheet 1 of 1